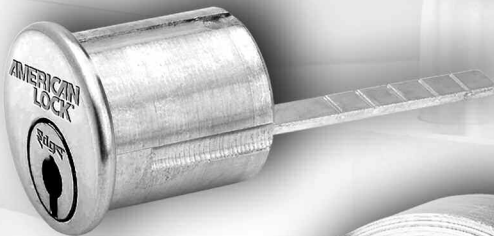


AMERICAN LOCK®



2016

**Commercial Security Products
SERVICE MANUAL**

Table of Contents

Padlock Servicing Procedures

| | |
|---|----|
| Series A700 | 2 |
| Series A748 | 3 |
| Series A780, A790 | 4 |
| Series A1000, A5000, A6000 | 5 |
| Series A5400, A6400 (Stainless Steel). | 6 |
| Series A1405 | 8 |
| Series A2000 & A2010 | 9 |
| Series A2500 | 10 |
| Series A3100, A3200, A3500 (Interchangeable Core – IC). | 11 |
| Series A3650 | 12 |
| Series A3600 and A3700 (Key-In-Knob – KIK) | 13 |
| Series A3800 | 14 |
| Series A3900 | 15 |
| Series A7000 (Tubular) | 16 |
| Series AH10 (Blade) | 17 |
| Series AL50 | 18 |
| Weatherbuilt Covers. | 19 |

Service Parts

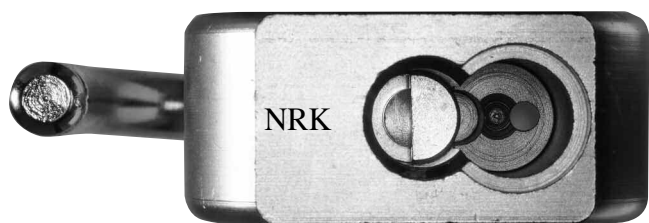
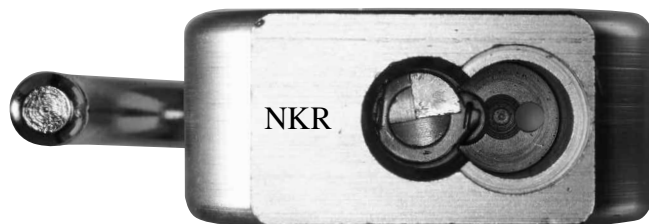
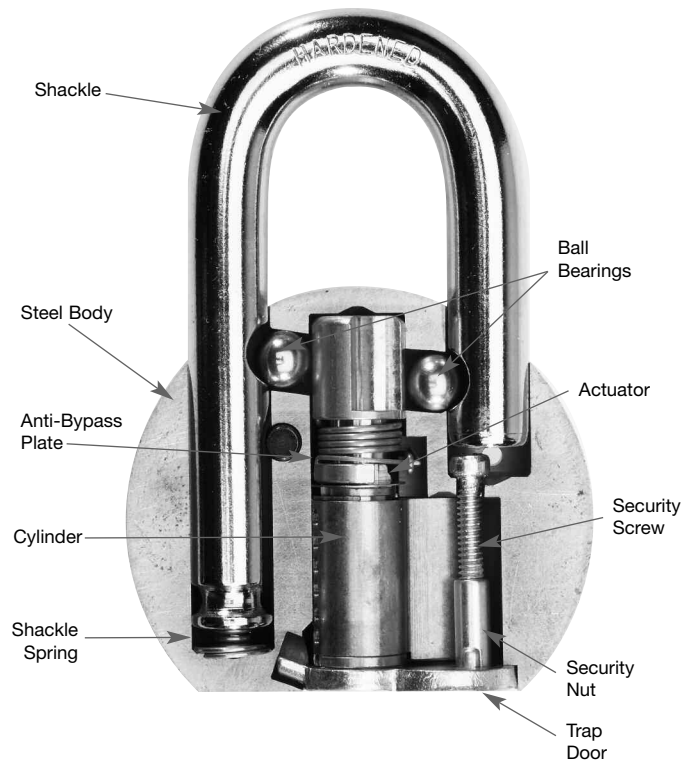
| | |
|--|----|
| Actuators | |
| American Lock Actuators. | 21 |
| Actuators for Master Lock Cylinders. | 23 |
| Drivers | 24 |
| Cylinders | |
| Pin Tumbler | 25 |
| BumpStop™ Mechanism. | 26 |
| Interchangeable Core | 27 |
| Door Hardware Multi-Cylinders. | 27 |
| Rim, Mortise & KIK Cylinders | 28 |
| Door Hardware Component Parts. | 29 |
| Tubular. | 30 |
| Disc Tumbler | 31 |
| Retainers & Trap Doors | 32 |
| Keys | 33 |
| Bitting Specifications | 34 |
| Lock Lubricants | 34 |
| Service Kits | 35 |

Disassembly

- Unlock shackle
- Use a Phillips screwdriver to remove security screw
- Remove security nut and trap door
- Remove cylinder and anti-bypass plate
- Place lock on flat surface and close shackle
- Actuator and ball bearings should fall out, if not, see page 20
- Remove shackle retaining screw, (APKG4765010)
- Remove shackle and spring

Assembly

- Insert shackle spring and shackle
- Insert and tighten shackle retaining screw
- Insert ball bearings
- Insert actuator as shown
- Check operation with follower tool
- Insert cylinder and rotate clockwise
- Insert trap door
- Insert security nut and screw
- Tighten security screw
- Check operation



| Model | Shackle | | | Shackle Spring | Actuator | | Ball Bearings |
|---------------------|----------|---------|-------------|----------------|-------------|-------------|---------------|
| | Diameter | Length | Part No. | | NKR | NRK | |
| A700, A700WO, A706 | 7/16" | 1-1/16" | APKG1582940 | APKG1612010 | APKG2029010 | APKG2084090 | APKG1807020 |
| A702, A702WO (zinc) | 7/16" | 1-1/16" | APKG1582950 | APKG1612010 | APKG2029010 | APKG2084090 | APKG1807020 |
| A701, A701WO, A707 | 7/16" | 2" | APKG1582960 | APKG1612010 | APKG2029010 | APKG2084090 | APKG1807020 |
| A703, A703WO (zinc) | 7/16" | 2" | APKG1582970 | APKG1612010 | APKG2029010 | APKG2084090 | APKG1807020 |

For Quantity Content and Ordering Information See the Price Book
 For Trap Door Part Numbers, See Page 32

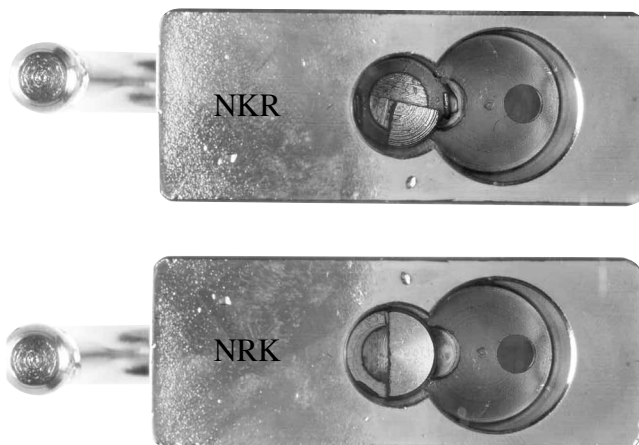
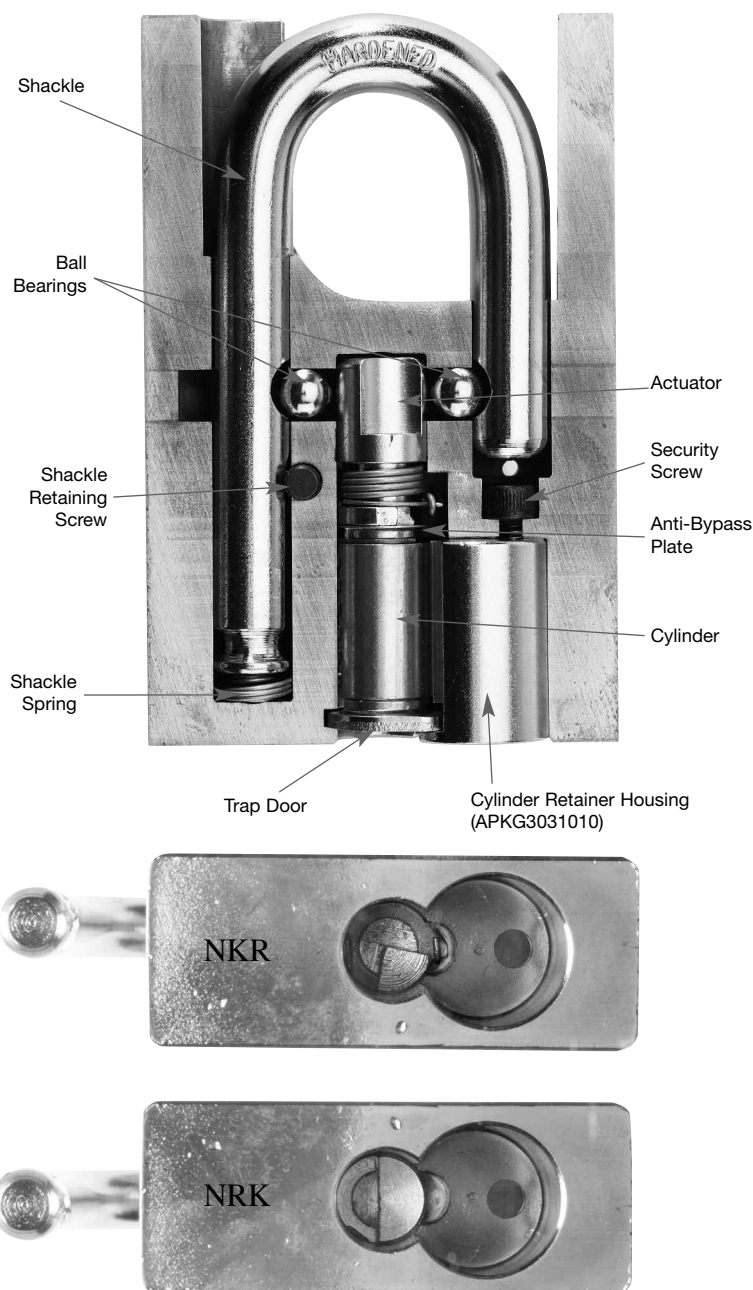
Disassembly

Disassembly

- Unlock shackle
- Use a 5/32" hex wrench to remove security screw
- Remove cylinder retaining housing
- Remove trap door, cylinder and anti-bypass plate
- Place lock on flat surface and close shackle
- Actuator and ball bearings should fall out, if not, see page 20
- Remove 3/32" hex shackle retaining screw
- Remove shackle and spring

Assembly

- Insert shackle spring and shackle
- Insert and tighten shackle retaining screw
- Insert ball bearings
- Insert actuator as shown
- Check operation with follower tool
- Insert cylinder and rotate clockwise
- Insert trap door
- Insert cylinder retainer housing
- Insert security screw
- Tighten security screw
- Check operation



| Model | Shackle | | | Shackle Spring | Actuator | | Ball Bearings |
|-------|----------|---------|-------------|----------------|-------------|-------------|---------------|
| | Diameter | Length | Part No. | | NKR | NRK | |
| A748 | 7/16" | 1-1/16" | APKG1583290 | APKG1612010 | APKG1188300 | APKG0000274 | APKG1807020 |

For Quantity Content and Ordering Information See the Price Book
For Trap Door Part Numbers, see page 32

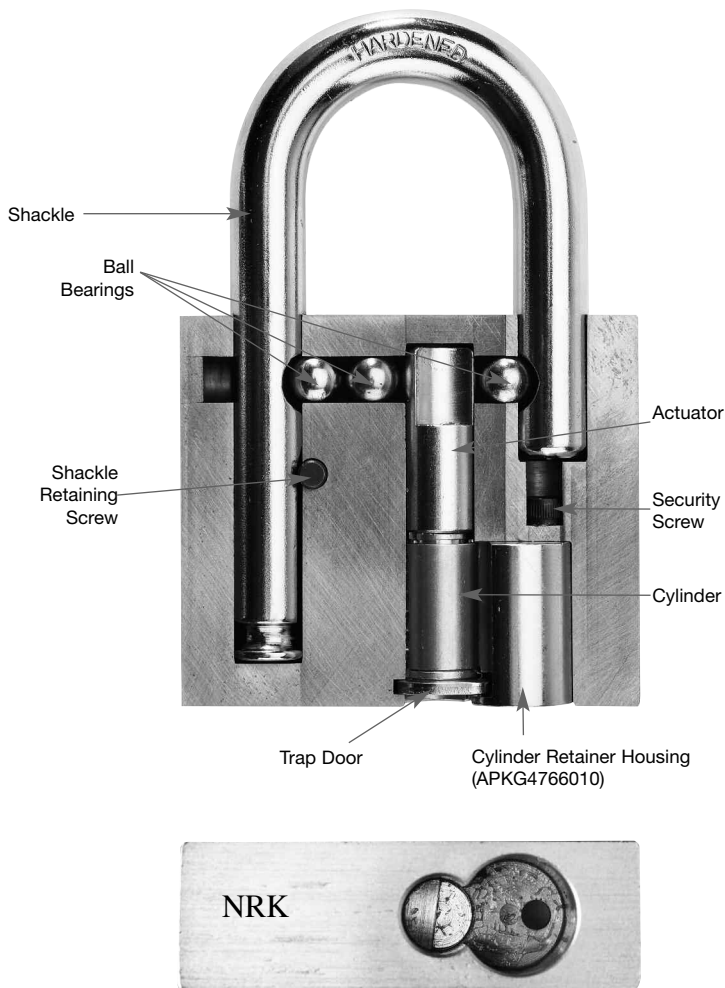
Disassembly

- Unlock shackle
- Use a 5/32" hex wrench to remove security screw
- Relock shackle: remove key
- Remove cylinder retaining housing
- Remove trap door and cylinder
- Place lock on flat surface and close shackle
- Actuator and ball bearings should fall out, if not, see page 20
- Remove shackle 1/8" hex retaining screw
- Remove shackle

Assembly

- Insert shackle
- Insert and tighten shackle retaining screw
- Insert ball bearings
- Insert actuator as shown
- Check operation with follower tool
- Insert cylinder and rotate clockwise
- Insert trap door
- Insert cylinder retainer housing
- Insert security screw
- Unlock shackle
- Tighten security screw
- Check operation

For cylinder retainer housing use part number (A3031010).



| Model | Shackle | | | Shackle Screw | Actuator | | Ball Bearings |
|-------|----------|--------|-------------|---------------|----------|-------------|---------------|
| | Diameter | Length | Part No. | | NKR | NRK | |
| A780 | 7/16" | 1-1/4" | APKG0000273 | APKG4765010 | N/A | APKG0000274 | APKG1807020 |
| A790 | 1/2" | 1-1/2" | APKG1583280 | APKG4765010 | N/A | APKG0000275 | APKG1809010 |

For Quantity Content and Ordering Information See the Price Book
For Trap Door Part Numbers, see page 32

American Lock Series A1000, A5000 & A6000

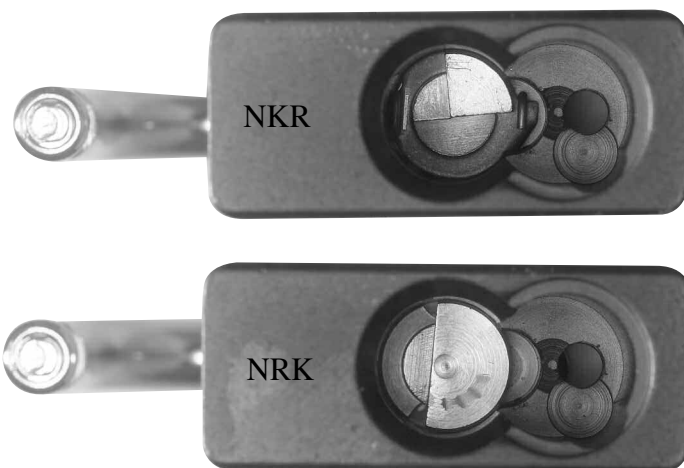
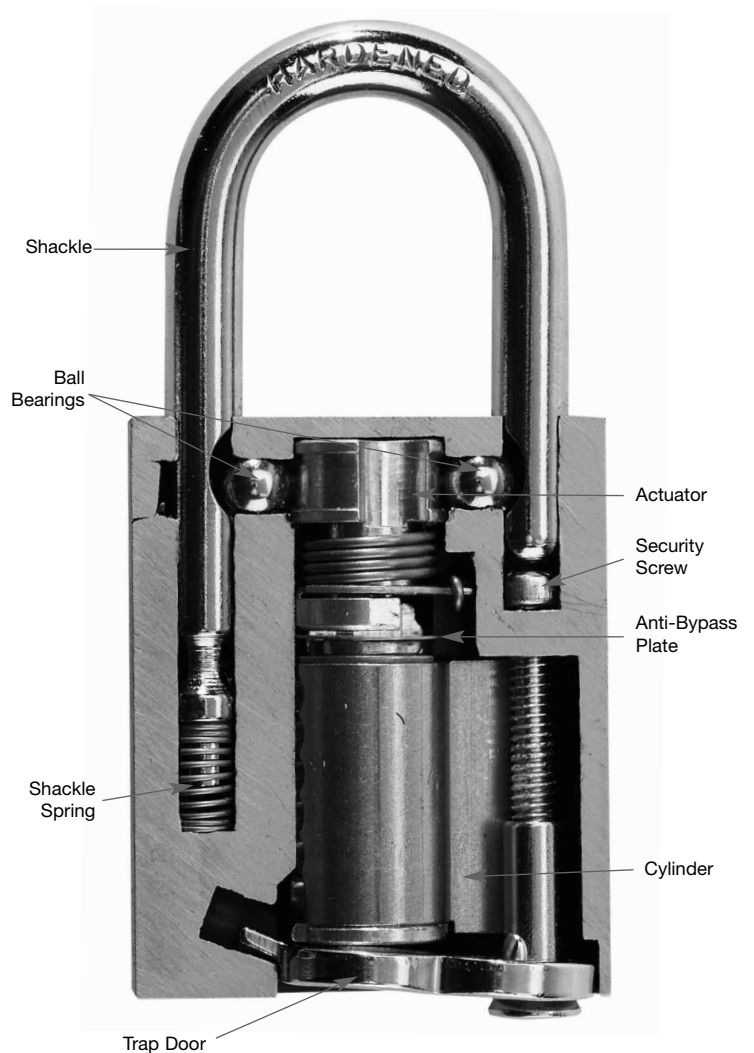
Disassembly

- Unlock shackle
- Use a Phillips screwdriver to remove security screw
- Remove security nut and trap door
- Remove cylinder and anti-bypass plate
- Place lock on flat surface and close shackle
- Actuator and ball bearings should fall out, if not, see page 20
- Remove shackle and spring

Assembly

- Insert shackle spring and shackle
- Insert ball bearings
- Insert actuator as shown
- Check operation with follower tool
- Insert cylinder and rotate clockwise
- Insert trap door
- Insert security nut and screw
- Tighten security screw
- Check operation

(see page 7 for A1000, A5000 and A6000 Specifications Chart)



American Lock Stainless Steel Series A5400 & A6400

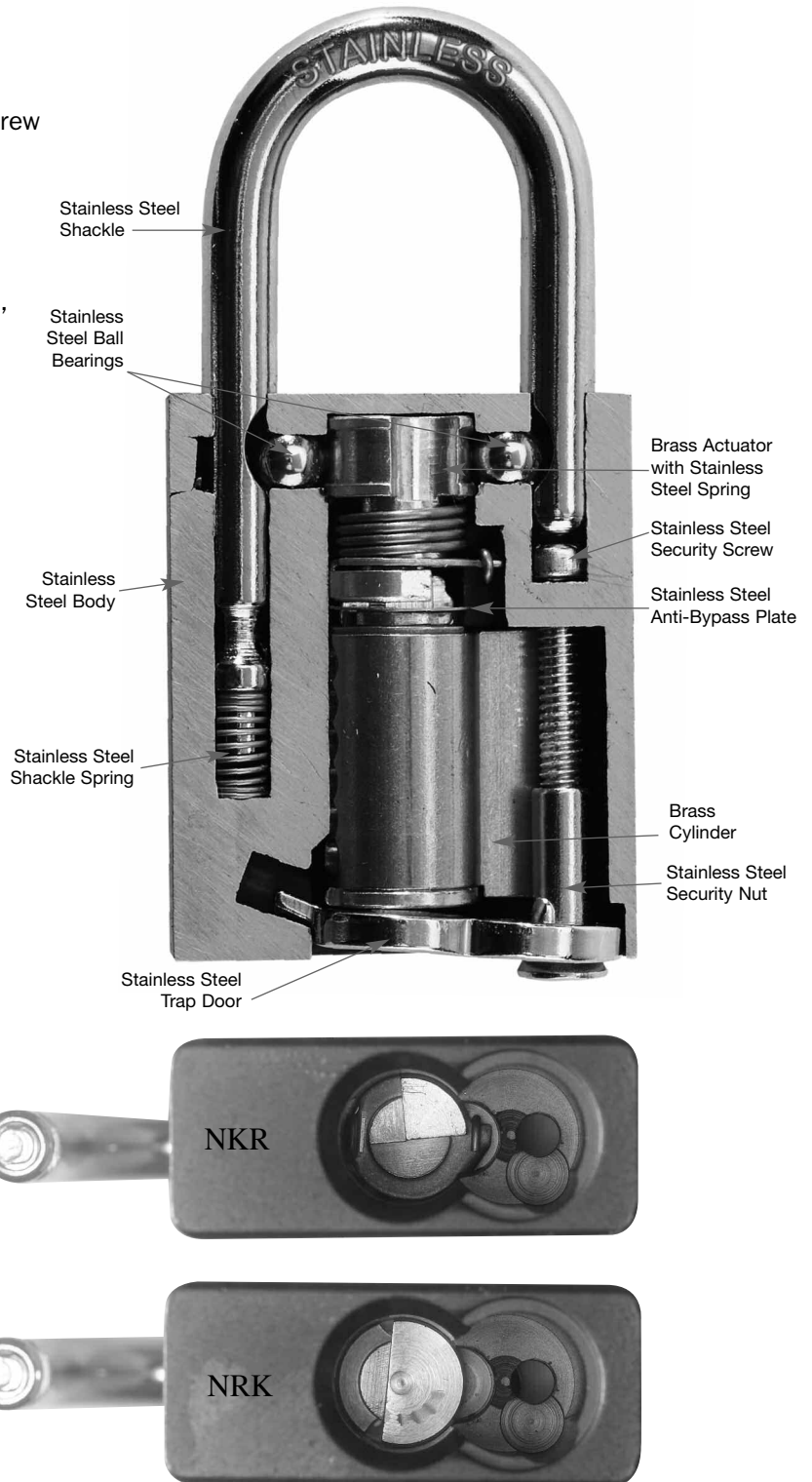
Disassembly

- Unlock shackle
- Use a Phillips screwdriver to remove security screw
- Remove security nut and trap door
- Remove cylinder and anti-bypass plate
- Place lock on flat surface and close shackle
- Actuator and ball bearings should fall out, if not, see page 20
- Remove shackle and spring

Assembly

- Insert shackle spring and shackle
- Insert ball bearings
- Insert actuator as shown
- Check operation with follower tool
- Insert cylinder and rotate clockwise
- Insert trap door
- Insert security nut and screw
- Tighten security screw
- Check operation

(see page 7 for A5400 & A6400 Specifications Chart)



American Lock Series A1000, A5000 & A6000 (Continued)

| MODEL | SHACKLE DIAMETER | LENGTH | PART NO. | SHACKLE SPRING | ACTUATOR | | BALL BEARINGS |
|-----------------------------|------------------|--------|-------------|----------------|-------------|-------------|---------------|
| | | | | | NKR | NRK | |
| A1105, A1105WO, A1165 | 1/4" | 1" | APKG1582980 | APKG1613010 | APKG1188270 | APKG2081160 | APKG1806010 |
| A1106, A1106WO, A1166 | 1/4" | 1-1/2" | APKG1583180 | APKG1613010 | APKG1188270 | APKG2081160 | APKG1806010 |
| A1107, A1107WO, A1167 | 1/4" | 3" | APKG1583210 | APKG1613010 | APKG1188270 | APKG2081160 | APKG1806010 |
| A1205, A1205WO, A1265 | 5/16" | 1-1/8" | APKG1582240 | APKG1606010 | APKG1188270 | APKG2081160 | APKG1806010 |
| A1205B, A1205BWO, A1265B | 5/16" | 3/4" | APKG1584030 | APKG1606010 | APKG1188270 | APKG2081160 | APKG1806010 |
| A1205SS, A1205SSWO, A1265SS | 5/16" | 1-1/8" | APKG0065435 | APKG0210031 | APKG1188270 | APKG2081160 | APKG1806010 |
| A1206, A1206WO, A1266 | 5/16" | 2" | APKG1582290 | APKG1606010 | APKG1188270 | APKG2081160 | APKG1806010 |
| A1206B, A1206BWO, A1266 | 5/16" | 2" | APKG0056794 | APKG1606010 | APKG1188270 | APKG2081160 | APKG1806010 |
| A1206SS, A1206SSWO, A1266SS | 5/16" | 2" | APKG0065436 | APKG0210031 | APKG1188270 | APKG2081160 | APKG1806010 |
| A1207, A1207WO, A1267 | 5/16" | 3" | APKG1582310 | APKG1606010 | APKG1188270 | APKG2081160 | APKG1806010 |
| A1207SS, A1207SSWO, A1267SS | 5/16" | 3" | APKG0065437 | APKG0210031 | APKG1188270 | APKG2081160 | APKG1806010 |
| A1209, A1209WO, A1269 | 5/16" | 5" | APKG0000954 | APKG1606010 | APKG1188270 | APKG2081160 | APKG1806010 |
| A1209SS, A1209SSWO, A1269SS | 5/16" | 5" | APKG0065438 | APKG0210031 | APKG1188270 | APKG2081160 | APKG1806010 |
| A1305, A1305WO, A1365 | 3/8" | 1-1/8" | APKG1581550 | APKG1611010 | APKG1188270 | APKG2081160 | APKG1806010 |
| A1305B, A1305BWO, A1365B | 3/8" | 1-1/8" | APKG0056760 | APKG1611010 | APKG1188270 | APKG2081160 | APKG1806010 |
| A1305SS, A1305SSWO, A1365SS | 3/8" | 1-1/8" | APKG0065432 | APKG0500023 | APKG1188270 | APKG2081160 | APKG1806010 |
| A1306, A1306WO, A1366 | 3/8" | 2" | APKG1581570 | APKG1611010 | APKG1188270 | APKG2081160 | APKG1806010 |
| A1306SS, A1306SSWO, A1366SS | 3/8" | 2" | APKG0065433 | APKG0500023 | APKG1188270 | APKG2081160 | APKG1806010 |
| A1307, A1307WO, A1367 | 3/8" | 3" | APKG1581590 | APKG1611010 | APKG1188270 | APKG2081160 | APKG1806010 |
| A1307SS, A1307SSWO, A1367SS | 3/8" | 3" | APKG0065434 | APKG0500023 | APKG1188270 | APKG2081160 | APKG1806010 |
| A5100, A5100WO, A6100 | 1/4" | 1" | APKG1582980 | APKG1613010 | APKG1188270 | APKG2081160 | APKG1806010 |
| A5101, A5101WO, A6101 | 1/4" | 1-1/2" | APKG1583180 | APKG1613010 | APKG1188270 | APKG2081160 | APKG1806010 |
| A5102, A5102WO, A6102 | 1/4" | 3" | APKG1583210 | APKG1613010 | APKG1188270 | APKG2081160 | APKG1806010 |
| A5200, A5200WO, A6200 | 5/16" | 1-1/8" | APKG1582240 | APKG1606010 | APKG1188270 | APKG2081160 | APKG1806010 |
| A5200SS, A5200SSWO, A6200SS | 5/16" | 1-1/8" | APKG0065435 | APKG0210031 | APKG1188270 | APKG2081160 | APKG1806010 |
| A5201, A5201WO, A6201 | 5/16" | 2" | APKG1582290 | APKG1606010 | APKG1188270 | APKG2081160 | APKG1806010 |
| A5201SS, A5201SSWO, A6201SS | 5/16" | 2" | APKG0065436 | APKG0210031 | APKG1188270 | APKG2081160 | APKG1806010 |
| A5202, A5202WO, A6202 | 5/16" | 3" | APKG1582310 | APKG1606010 | APKG1188270 | APKG2081160 | APKG1806010 |
| A5202SS, A5202SSWO, A6202SS | 5/16" | 3" | APKG0065437 | APKG0210031 | APKG1188270 | APKG2081160 | APKG1806010 |
| A5205, A5205WO, A6205 | 5/16" | 5" | APKG0000954 | APKG1606010 | APKG1188270 | APKG2081160 | APKG1806010 |
| A5205SS, A5205SSWO, A6205SS | 5/16" | 5" | APKG0065438 | APKG0210031 | APKG1188270 | APKG2081160 | APKG1806010 |
| A5260, A5260WO, A6260 | 3/8" | 1-1/8" | APKG1581550 | APKG1611010 | APKG1188270 | APKG2081160 | APKG1806010 |
| A5260SS, A5260SSWO, A6260SS | 3/8" | 1-1/8" | APKG0065432 | APKG0500023 | APKG1188270 | APKG2081160 | APKG1806010 |
| A5261, A5261WO, A6261 | 3/8" | 2" | APKG1581570 | APKG1611010 | APKG1188270 | APKG2081160 | APKG1806010 |
| A5261SS, A5261SSWO, A6261SS | 3/8" | 2" | APKG0065433 | APKG0500023 | APKG1188270 | APKG2081160 | APKG1806010 |
| A5262, A5262WO, A6262 | 3/8" | 3" | APKG1581590 | APKG1611010 | APKG1188270 | APKG2081160 | APKG1806010 |
| A5262SS, A5262SSWO, A6262SS | 3/8" | 3" | APKG0065434 | APKG0500023 | APKG1188270 | APKG2081160 | APKG1806010 |
| A5300, A5300WO, A6300 | 5/16" | 1-1/8" | APKG1582240 | APKG1611010 | APKG1188270 | APKG2081160 | APKG1806010 |
| A5360, A5360WO, A6360 | 3/8" | 1-1/8" | APKG1581550 | APKG1611010 | APKG1188270 | APKG2081160 | APKG1806010 |
| A5530, A5530WO, A6530 | 1/4" | 1" | APKG1582980 | APKG1613010 | APKG1188270 | APKG2081160 | APKG1806010 |
| A5530B, A5530BWO, A6530B | 1/4" | 1" | APKG1583240 | APKG1613010 | APKG1188270 | APKG2081160 | APKG1806010 |
| A5530, A5530WO, A6531 | 1/4" | 1-1/2" | APKG1583180 | APKG1613010 | APKG1188270 | APKG2081160 | APKG1806010 |
| A5530, A5530WO, A6532 | 1/4" | 3" | APKG1583210 | APKG1613010 | APKG1188270 | APKG2081160 | APKG1806010 |
| A5560, A5560WO, A6560 | 5/16" | 1-1/8" | APKG1582240 | APKG1606010 | APKG1188270 | APKG2081160 | APKG1806010 |
| A5560B, A5560BWO, A6560B | 5/16" | 3/4" | APKG0056792 | APKG1606010 | APKG1188270 | APKG2081160 | APKG1806010 |
| A5560SS, A5560SSWO, A6560SS | 5/16" | 1-1/8" | APKG0065435 | APKG0210031 | APKG1188270 | APKG2081160 | APKG1806010 |
| A5561, A5561WO, A6561 | 5/16" | 2" | APKG1582290 | APKG1606010 | APKG1188270 | APKG2081160 | APKG1806010 |
| A5561B, A5561BWO, A6561B | 5/16" | 2" | APKG0056794 | APKG1606010 | APKG1188270 | APKG2081160 | APKG1806010 |
| A5561SS, A5561SSWO, A6561SS | 5/16" | 2" | APKG0065436 | APKH0210031 | APKG1188270 | APKG2081160 | APKG1806010 |
| A5562, A5562WO, A6562 | 5/16" | 3" | APKG1582310 | APKG1606010 | APKG1188270 | APKG2081160 | APKG1806010 |
| A5562SS, A5562SSWO, A6562SS | 5/16" | 3" | APKG0065437 | APKG0210031 | APKG1188270 | APKG2081160 | APKG1806010 |
| A5565, A5565WO, A6565 | 5/16" | 5" | APKG0000954 | APKG1606010 | APKG1188270 | APKG2081160 | APKG1806010 |
| A5565SS, A5565SSWO, A6565SS | 5/16" | 5" | APKG0065438 | APKG0210031 | APKG1188270 | APKG2081160 | APKG1806010 |
| A5570, A5570WO, A6570 | 3/8" | 1-1/8" | APKG1581550 | APKG1606010 | APKG1188270 | APKG2081160 | APKG1806010 |
| A5570B, A5570BWO, A6570B | 3/8" | 1-1/8" | APKG0056760 | APKG1606010 | APKG1188270 | APKG2081160 | APKG1806010 |
| A5570SS, A5570SSWO, A6570SS | 3/8" | 1-1/8" | APKG0065432 | APKG0500023 | APKG1188270 | APKG2081160 | APKG1806010 |
| A5571, A5571WO, A6571 | 3/8" | 2" | APKG1581570 | APKG1606010 | APKG1188270 | APKG2081160 | APKG1806010 |
| A5571SS, A5571SSWO, A6571SS | 3/8" | 2" | APKG0065433 | APKG0500023 | APKG1188270 | APKG2081160 | APKG1806010 |
| A5572, A5572WO, A6572 | 3/8" | 3" | APKG1581590 | APKG1606010 | APKG1188270 | APKG2081160 | APKG1806010 |
| A5572SS, A5572SSWO, A6572SS | 3/8" | 3" | APKG0065434 | APKG0500023 | APKG1188270 | APKG2081160 | APKG1806010 |
| A5400, A5400WO, A6400 | 5/16" | 1-1/8" | APKG0110032 | APKG1606010 | APKG1188270 | APKG2081160 | APKG1806010 |
| A5401, A5401WO, A6401 | 5/16" | 2" | APKG0110033 | APKG1606010 | APKG1188270 | APKG2081160 | APKG1806010 |
| A5460, A5460WO, A6460 | 3/8" | 1-1/8" | APKG0110029 | APKG1611010 | APKG1188270 | APKG2081160 | APKG1806010 |
| A5461, A5461WO, A6461 | 3/8" | 2" | APKG0110030 | APKG1611010 | APKG1188270 | APKG2081160 | APKG1806010 |

For Quantity Content and Ordering Information, See the Price Book
For Trap Door Part Numbers, see page 32

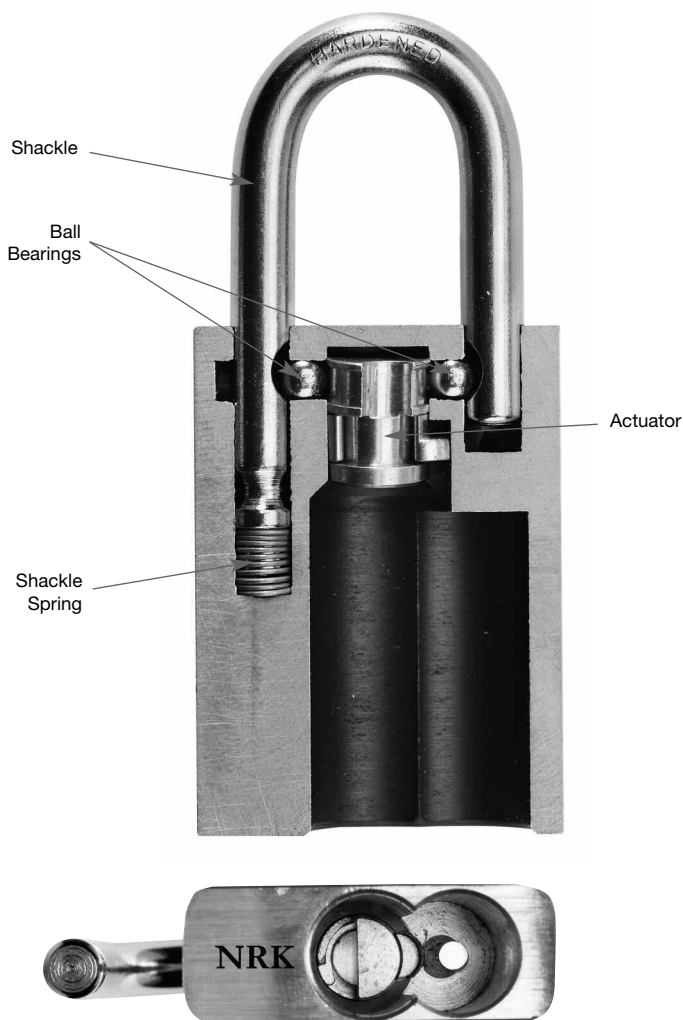
American Lock Series A1405 (for Yale LFIC 1220)

Disassembly

- Unlock shackle
- Use control key to remove LFIC
- Remove driver
- Place lock on flat surface and close shackle
- Actuator and ball bearings should fall out, if not, see page 20
- Remove shackle and spring

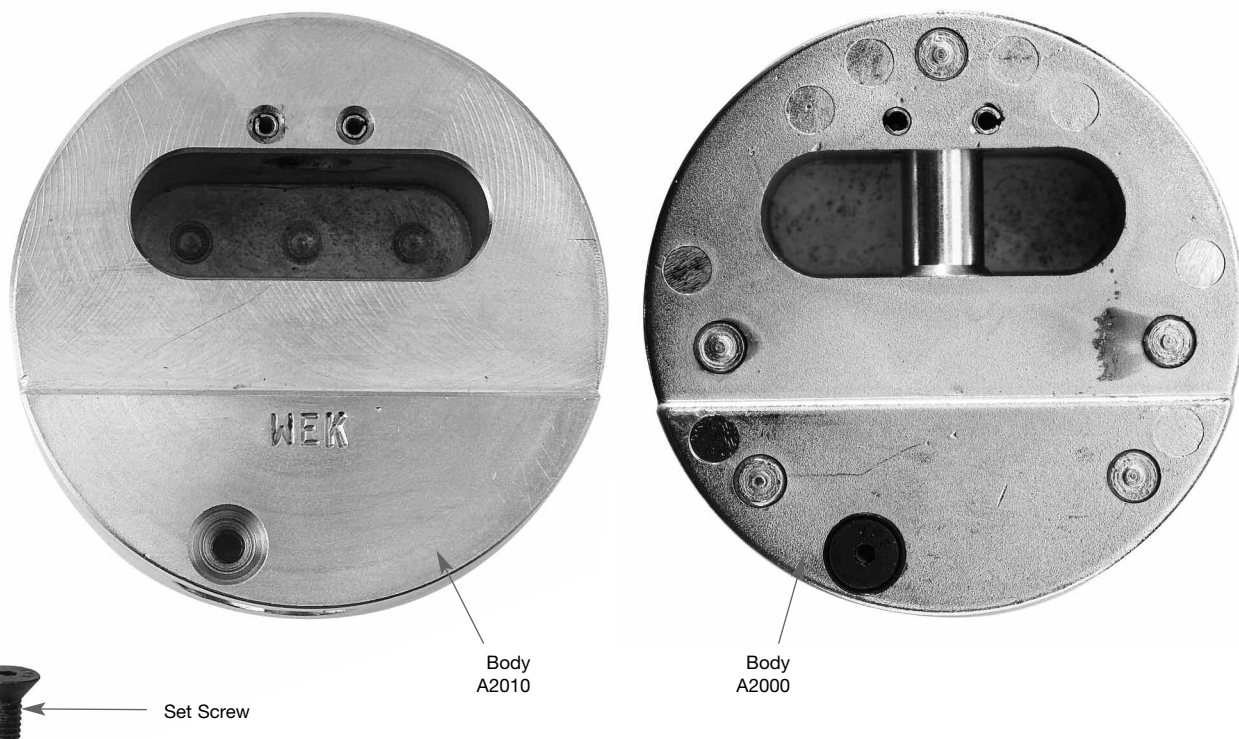
Assembly

- Insert shackle spring and shackle
- Insert ball bearings
- Insert actuator as shown
- Check operation with follower tool
- Insert driver
- Insert LFIC with control key
- Check operation



| Model | Shackle | | | Shackle Spring | Actuator | | Ball Bearings |
|-------|----------|--------|-------------|----------------|-------------|-------------|---------------|
| | Diameter | Length | Part No. | | NKR | NRK | |
| A1405 | 5/16" | 1-1/8" | APKG1582240 | APKG1606010 | APKG1188270 | APKG2081160 | APKG1806010 |
| A1406 | 5/16" | 2" | APKG1582290 | APKG1606010 | APKG1188270 | APKG2081160 | APKG1806010 |
| A1407 | 5/16" | 3" | APKG1582310 | APKG1606010 | APKG1188270 | APKG2081160 | APKG1806010 |
| A1409 | 5/16" | 5" | APKG0000954 | APKG1606010 | APKG1188270 | APKG2081160 | APKG1806010 |

For Quantity Content and Ordering Information, See the Price Book

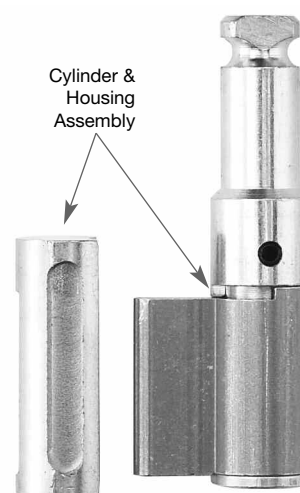


Disassembly

- Remove 3/32" hex retaining screw
- Remove cylinder assembly
- Remove roll pin
- Rekey as required

Assembly

- Insert roll pin
- Insert cylinder assembly and lock into place
- Replace retaining screw



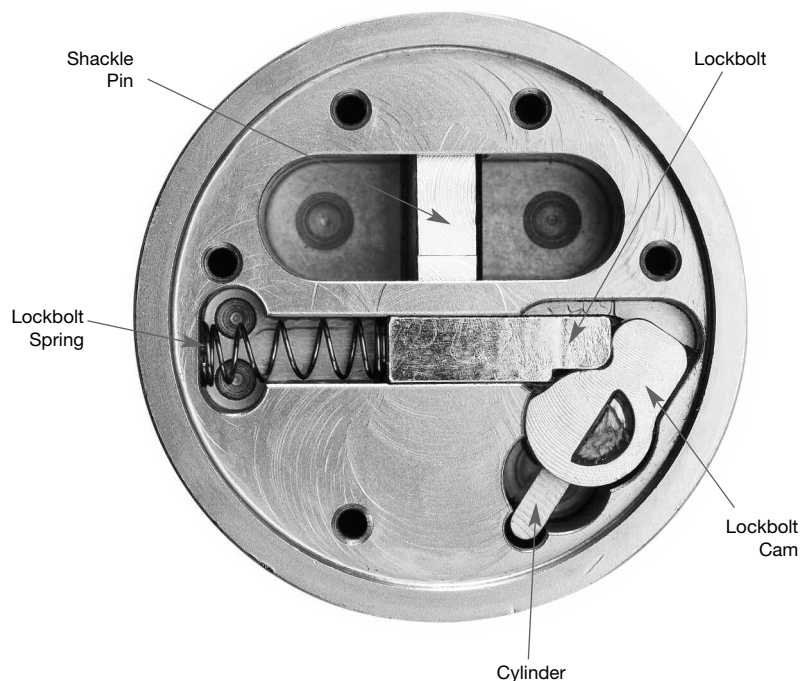
| Part number | Description |
|-------------|--|
| APT2001 | 6 pin cylinder and shackle assembly |
| APT2001U | Uncombined 6 pin cylinder and shackle assembly |
| APKG0000220 | Retaining screw |
| APKG0000431 | A2000 and A2000WO cylinder housing |
| APKG3023010 | A2010 and A2010WO cylinder housing |

Disassembly

- Remove 3/32" hex cover plate screws and cover plate
- Remove lockbolt spring
- Remove cam
- Remove cylinder assembly and sleeve
- Remove lockbolt
- Remove shackle pin and spring

Assembly

- Insert shackle pin and spring
- Insert lockbolt
- Insert cylinder assembly and sleeve
- Insert cam
- Insert lockbolt spring
- Replace cover plate
- Replace and tighten cover plate screws



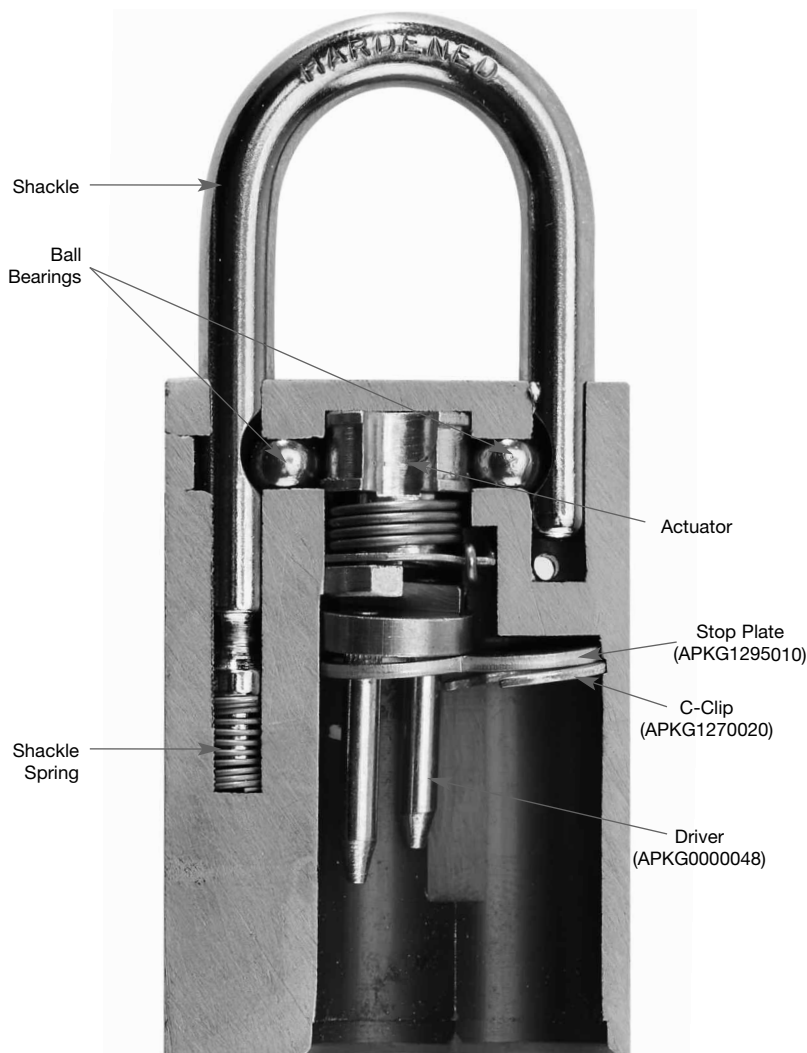
| Part number | Description |
|-------------|---|
| APTC12S | 5 pin cylinder assembly with stainless steel pins |
| APTC14S | 6 pin cylinder assembly with stainless steel pins |
| APKG0001583 | Lockbolt cam |
| APKG0001584 | Lockbolt |
| APKG0001585 | Shackle pin |
| APKG0001586 | Hardened cylinder cover |
| APKG0001587 | Cylinder sleeve |
| APKG0001588 | Cover plate |
| APKG0001589 | Lockbolt spring |
| APKG0001590 | Shackle spring |
| APKG0001591 | Cover plate screws |

Disassembly

- Unlock shackle
- Use control key to remove SFIC
- Remove C clip and stop plate
- Remove driver
- Place lock on flat surface and close shackle
- Actuator and ball bearings should fall out, if not, see page 20
- Remove shackle and spring

Assembly

- Insert shackle spring and shackle
- Insert ball bearings
- Insert actuator as shown
- Insert driver, stop plate, (with 'T' up), and C clip
- Check operation with follower tool
- Insert SFIC with control key
- Check operation



| Model | Shackle | | | Shackle Spring | Actuator | | Ball Bearings |
|------------|----------|--------|-------------|----------------|-------------|-------------|---------------|
| | Diameter | Length | Part No. | | NKR | NRK | |
| 3105 | 1/4" | 1" | APKG1582980 | APKG1613010 | APKG1188270 | APKG2081160 | APKG1806010 |
| 3106 | 1/4" | 1-1/2" | APKG1583180 | APKG1613010 | APKG1188270 | APKG2081160 | APKG1806010 |
| 3107 | 1/4" | 3" | APKG1583210 | APKG1613010 | APKG1188270 | APKG2081160 | APKG1806010 |
| 3260, 3570 | 3/8" | 1-1/8" | APKG1581550 | APKG1601010 | APKG1188270 | APKG2081160 | APKG1806010 |
| 3261, 3571 | 3/8" | 2" | APKG1581570 | APKG1601010 | APKG1188270 | APKG2081160 | APKG1806010 |
| 3262, 3572 | 3/8" | 3" | APKG1581590 | APKG1601010 | APKG1188270 | APKG2081160 | APKG1806010 |
| 3200, 3560 | 5/16" | 1-1/8" | APKG1582240 | APKG1606010 | APKG1188270 | APKG2081160 | APKG1806010 |
| 3201, 3561 | 5/16" | 2" | APKG1582290 | APKG1601010 | APKG1188270 | APKG2081160 | APKG1806010 |
| 3202, 3562 | 5/16" | 3" | APKG1582310 | APKG1606010 | APKG1188270 | APKG2081160 | APKG1806010 |
| 3205, 3565 | 5/16" | 5" | APKG0000954 | APKG1606010 | APKG1188270 | APKG2081160 | APKG1806010 |

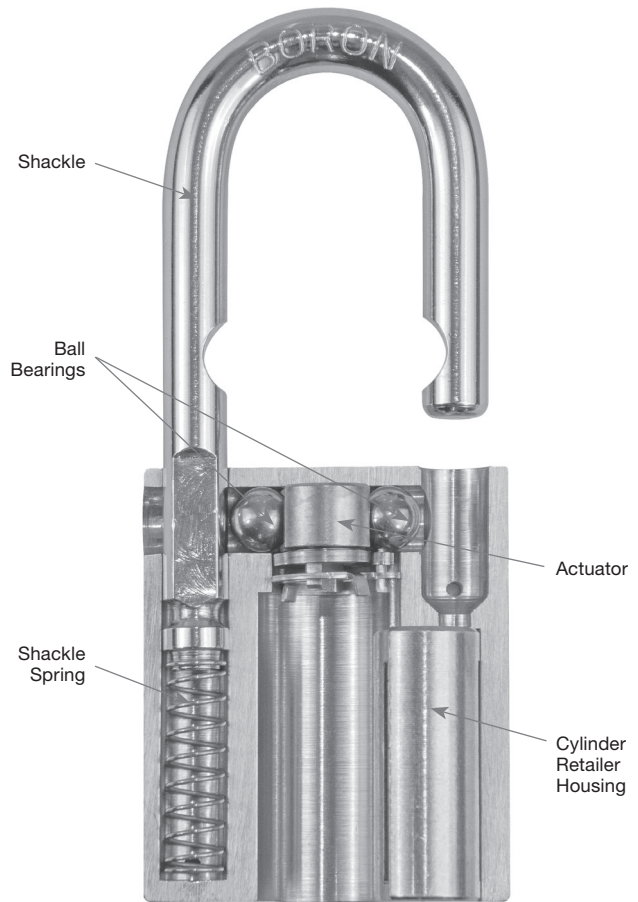
Stop Plate APKG2036010, 'C' Clip (APKG1270020)
 For Quantity Content and Ordering Information, See the Price Book

Disassembly

- Unlock shackle
- Use a Phillips screwdriver to remove housing screw
- Remove cylinder, driver, key-retaining converter (if present) and cylinder housing
- Turn shackle 180 degrees until toe of shackle is opposite the lock body
- Insert actuator positioning plug tool into open shackle hole
- Insert shackle pin change tool into pin-sized hole to release the shackle
- Remove shackle pin change tool
- Remove shackle and shackle spring
- Remove heel side ball bearing
- Remove actuator positioning plug tool
- Remove stop plate, actuator and coil spring
- Remove toe side ball bearing

Assembly

- Insert toe side ball bearing
- Assemble and install coil spring to actuator
- Insert stop plate
- Turn actuator clockwise 90 degrees and hold (Use Master Lock 376 universal pin tool or similar)
- Insert actuator positioning plug tool
- Release actuator
- Insert shackle pin change tool into pin-sized hole
- Remove shackle pin change tool
- Insert shackle spring, heel side ball bearing and shackle
- Turn shackle so toe of shackle is above the open shackle hole covered by plug tool
- Push and hold shackle down until shackle touches plug tool
- Push shackle-retaining pin out to secure shackle
- Remove actuator positioning tool
- Close shackle
- Assemble cylinder, cylinder housing, driver and key-retaining converter (if desired)
- Ensure shackle-retaining pin is in locked position and insert cylinder assembly
- Operate the lock to test
- Use Phillips screwdriver to secure the cylinder housing screw



Shackle Pin Change Tool (APKGP33498)



Actuator Positioning Plug Tool (APKGP33174)

| Model | Shackle | | | Shackle Spring | Actuator | Coil Spring | Stop Plate | Cylinder Housing Screw | Key Retaining Converter | Ball Bearings | KIK Cylinder Housing | Padlock Cylinder Housing |
|-------|----------|--------|------------|----------------|------------|-------------|------------|------------------------|-------------------------|---------------|----------------------|--------------------------|
| | Diameter | Length | Part No. | | | | | | | | | |
| A3650 | 5/16" | 1-1/8" | APKGP32859 | APKG1601010 | APKGP32950 | APKGP32949 | APKGP32946 | APKGP32935 | APKGP32947 | APKG0220-1007 | APKGP32953 | APKGP32952 |
| A3651 | 5/16" | 2" | APKGP32913 | APKG1601010 | APKGP32950 | APKGP32949 | APKGP32946 | APKGP32935 | APKGP32947 | APKG0220-1007 | APKGP32953 | APKGP32952 |
| A3652 | 5/16" | 3" | APKGP32914 | APKG1601010 | APKGP32950 | APKGP32949 | APKGP32946 | APKGP32935 | APKGP32947 | APKG0220-1007 | APKGP32953 | APKGP32952 |
| A3655 | 5/16" | 5" | APKGP32917 | APKG1601010 | APKGP32950 | APKGP32949 | APKGP32946 | APKGP32935 | APKGP32947 | APKG0220-1007 | APKGP32953 | APKGP32952 |

For Quantity Content and Ordering Information, See the Price Book

For Available Cylinders, See Price Book

For Driver Part Numbers, See Price Book

For Instructional Videos, Visit masterlock.com/americanlock

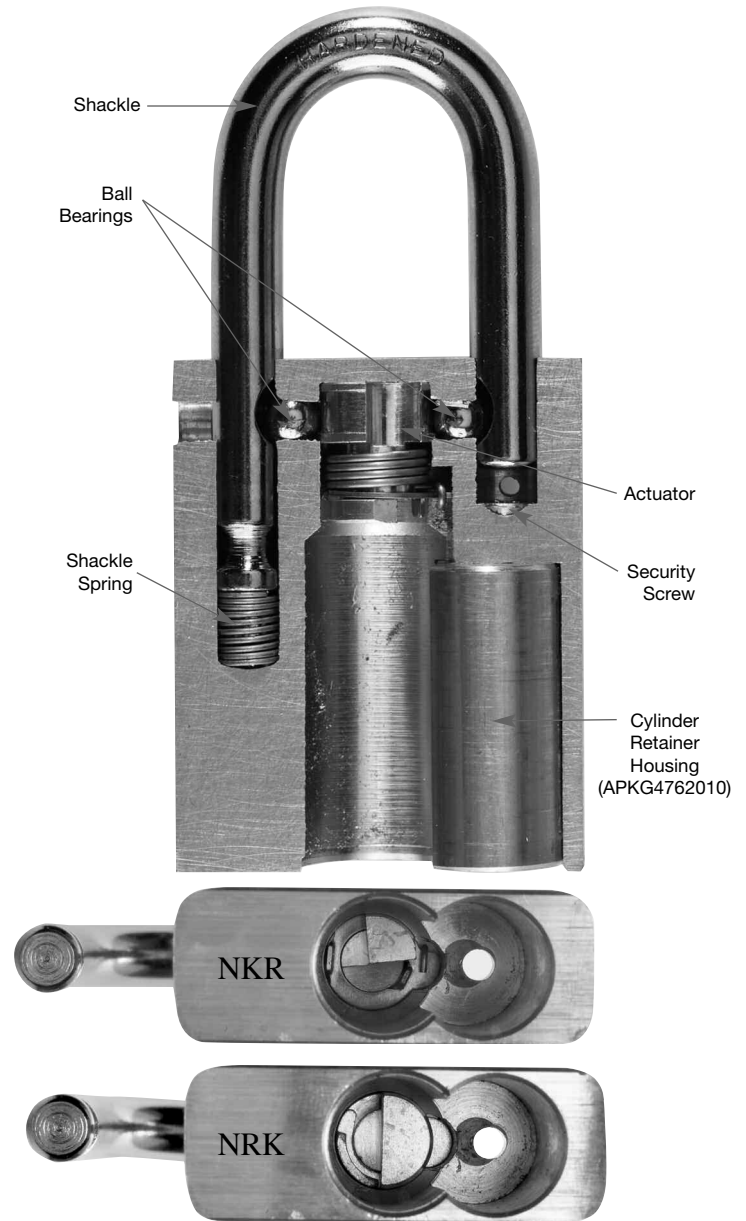
American Lock Series A3600 and A3700 **AMERICAN LOCK**

Disassembly

- Unlock shackle
- Use a Phillips screwdriver to remove security screw
- Remove KEY ADVANTAGE cylinder or cylinder and housing
- Remove driver
- Place lock on flat surface and close shackle
- Actuator and ball bearings should fall out, if not, see page 20
- Remove shackle and spring

Assembly

- Insert shackle spring and shackle
- Insert ball bearings
- Insert actuator as shown
- Check operation with follower tool
- Install driver on cylinder
- Insert KEY ADVANTAGE cylinder or cylinder and housing
- Insert security screw
- Tighten security screw
- Check operation



| Model | Shackle | | | Shackle Spring | Actuator | | Ball Bearings | Cylinder Housing |
|-------|----------|--------|-------------|----------------|-------------|----------|---------------|------------------|
| | Diameter | Length | Part No. | | NKR | NRK | | |
| A3600 | 5/16" | 1-1/8" | APKG1582240 | APKG1606010 | APKG1188280 | A36DLRET | APKG1806010 | APKG3013010 |
| A3601 | 5/16" | 2" | APKG1582290 | APKG1606010 | APKG1188280 | A36DLRET | APKG1806010 | APKG3013010 |
| A3602 | 5/16" | 3" | APKG1582310 | APKG1606010 | APKG1188280 | A36DLRET | APKG1806010 | APKG3013010 |
| A3605 | 5/16" | 5" | APKG0000954 | APKG1606010 | APKG1188280 | A36DLRET | APKG1806010 | APKG3013010 |
| A3700 | 3/8" | 1-1/8" | APKG1581550 | APKG1611010 | APKG1188280 | A36DLRET | APKG1806010 | APKG3013010 |
| A3701 | 3/8" | 2" | APKG1581570 | APKG1611010 | APKG1188280 | A36DLRET | APKG1806010 | APKG3013010 |
| A3702 | 3/8" | 3" | APKG1581590 | APKG1611010 | APKG1188280 | A36DLRET | APKG1806010 | APKG3013010 |

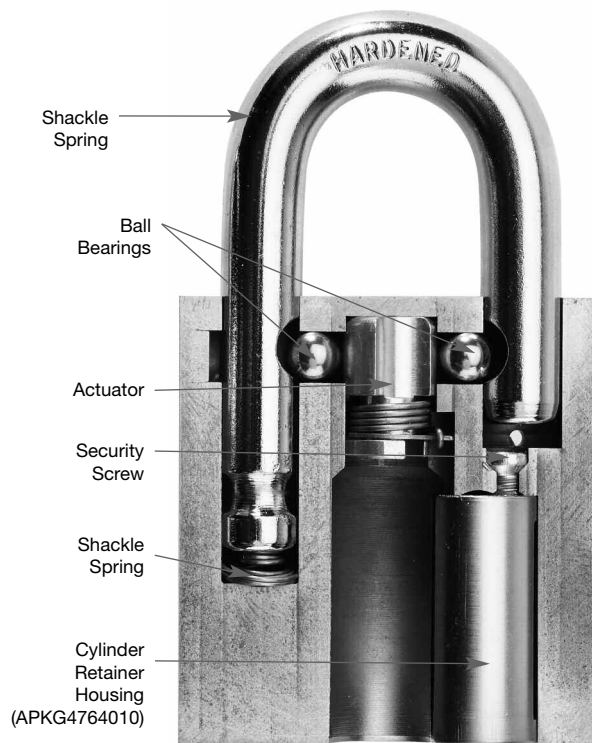
For Quantity Content and Ordering Information, See the Price Book
 For Driver Part Numbers, See Page 23
 For KEY ADVANTAGE Cylinder Use A, K, S or Y as a Suffix to Indicate Keyway.
 For Trap Door Part Numbers, see page 32

Disassembly

- Unlock shackle
- Use a 1/8" hex wrench to remove security screw
- Remove cylinder and housing
- Remove driver
- Place lock on flat surface and close shackle
- Actuator and ball bearings should fall out, if not, see page 20
- Remove shackle and spring

Assembly

- Insert shackle spring and shackle
- Insert ball bearings
- Insert actuator as shown
- Check operation with follower tool
- Install driver on cylinder
- Insert cylinder and housing
- Insert security screw
- Tighten security screw
- Check operation



| Model | Shackle | | | Shackle Spring | Actuator | | Ball Bearings | Cylinder Housing |
|-------|----------|--------|-------------|----------------|-------------|----------|---------------|------------------|
| | Diameter | Length | Part No. | | NKR | NRK | | |
| A3800 | 7/16" | 1-1/8" | APKG1582910 | APKG1612010 | APKG1188290 | A38DLRET | APKG1807020 | APKG3014020 |
| A3801 | 7/16" | 2" | APKG1582920 | APKG1612010 | APKG1188290 | A38DLRET | APKG1807020 | APKG3014020 |

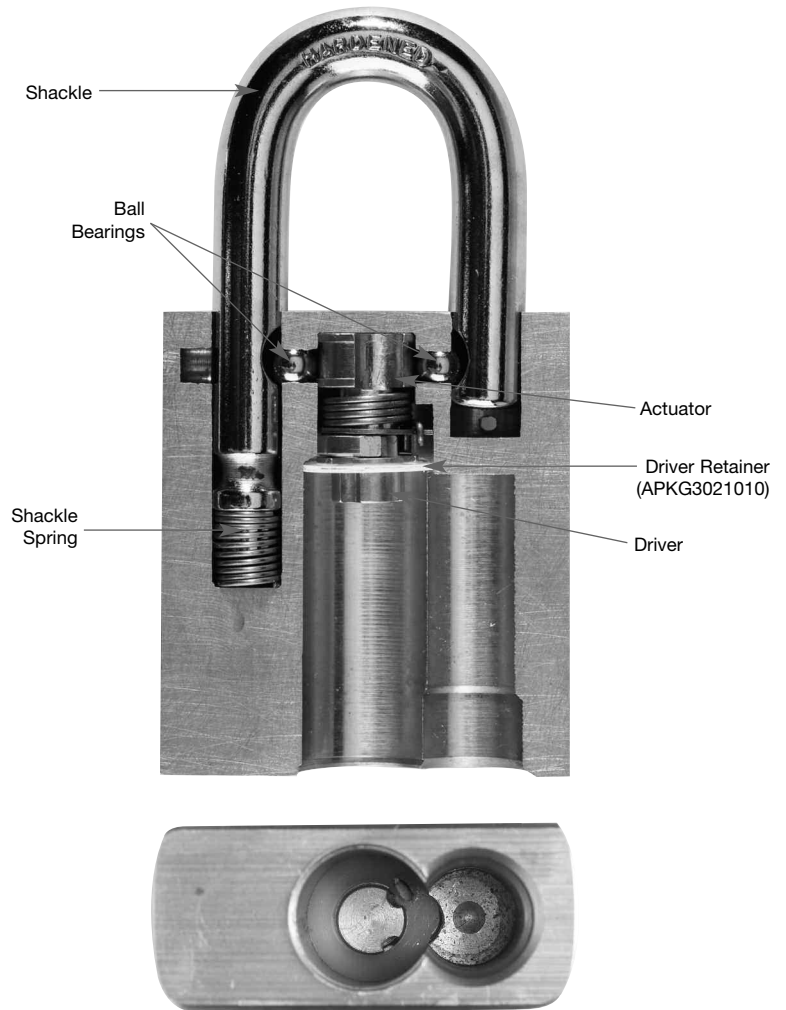
For Quantity Content and Ordering Information, See the Price Book
 For Driver Part Numbers See Page 23
 For KEY ADVANTAGE Cylinder Use A, K, S or Y as a Suffix to Indicate Keyway
 For Trap Door Part Numbers, see page 32

Disassembly

- Unlock shackle
- Use control key to remove LFIC
- Remove driver retainer and driver
- Place lock on flat surface and close shackle
- Actuator and ball bearings should fall out, if not, see page 20
- Remove shackle and spring

Assembly

- Insert shackle spring and shackle
- Insert ball bearings
- Insert actuator as shown
- Check operation with follower tool
- Insert driver and driver retainer
- Insert LFIC with control key
- Check operation



| Model | Shackle | | | Shackle Spring | Actuator | | Ball Bearings |
|------------------|----------|--------|-------------|----------------|-------------|-------------|---------------|
| | Diameter | Length | Part No. | | NKR | NRK | |
| A3900S, A3900SWO | 3/8" | 1-1/8" | APKG1581550 | APKG1611010 | APKG1188280 | APK62081160 | APKG1806010 |
| A3901S, A3901SWO | 3/8" | 2" | APKG1581570 | APKG1611010 | APKG1188280 | APK62081160 | APKG1806010 |
| A3902S, A3902SWO | 3/8" | 3" | APKG1581590 | APKG1611010 | APKG1188280 | APK62081160 | APKG1806010 |

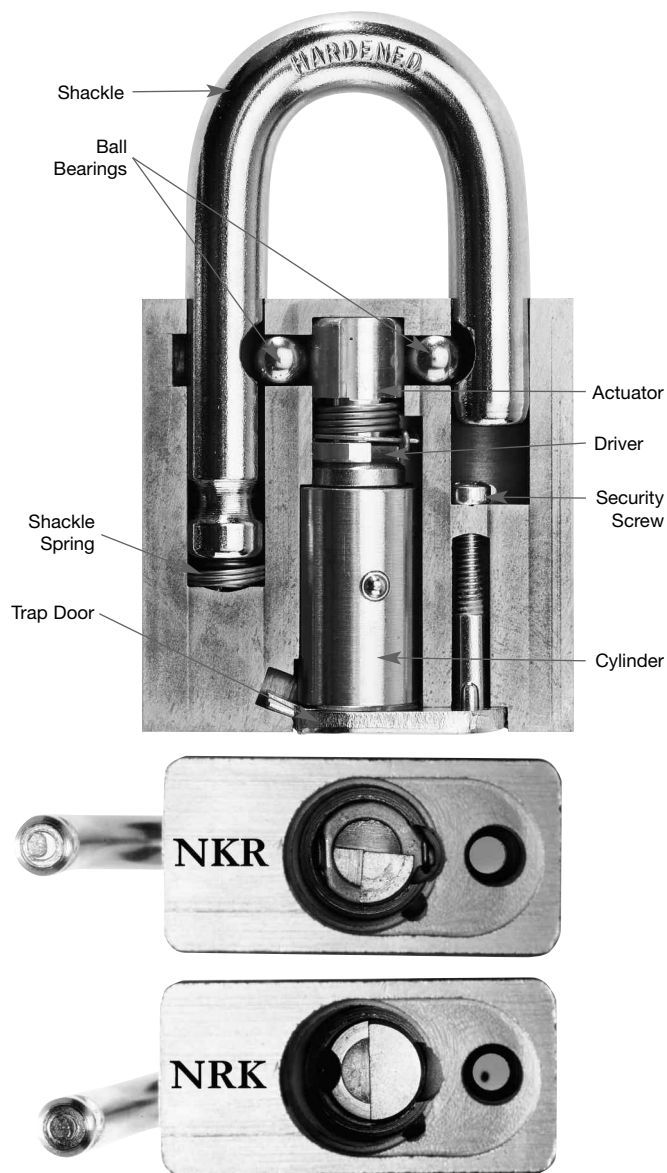
For Quantity Content and Ordering Information, See the Price Book

Disassembly

- Unlock shackle
- Use a Phillips screwdriver to remove security screw
- Remove security nut and trap door
- Remove cylinder and driver
- Place lock on flat surface and close shackle
- Actuator and ball bearings should fall out, if not, see page 20
- Remove shackle and spring

Assembly

- Insert shackle spring and shackle
- Insert ball bearings
- Insert actuator as shown
- Check operation with follower tool
- Insert cylinder with driver as shown
- Insert trap door
- Insert security nut and screw
- Tighten security screw
- Check operation



| Model | Shackle | | | Shackle Spring | Actuator | | Ball Bearings |
|-------|----------|--------|-------------|----------------|-------------|-------------|---------------|
| | Diameter | Length | Part No. | | NKR | NRK | |
| A7200 | 5/16" | 1-1/8" | APKG1582240 | APKG1606010 | APKG1188270 | APKG2081160 | APKG1806010 |
| A7201 | 5/16" | 2" | APKG1582290 | APKG1606010 | APKG1188270 | APKG2081160 | APKG1806010 |
| A7202 | 5/16" | 3" | APKG1582310 | APKG1606010 | APKG1188270 | APKG2081160 | APKG1806010 |
| A7205 | 5/16" | 5" | APKG0000954 | APKG1606010 | APKG1188270 | APKG2081160 | APKG1806010 |
| A7260 | 3/8" | 1-1/8" | APKG1581550 | APKG1611010 | APKG1188270 | APKG2081160 | APKG1806010 |
| A7261 | 3/8" | 2" | APKG1581570 | APKG1611010 | APKG1188270 | APKG2081160 | APKG1806010 |
| A7262 | 3/8" | 3" | APKG1581590 | APKG1611010 | APKG1188270 | APKG2081160 | APKG1806010 |
| A7300 | 7/16" | 1-1/8" | APKG1582910 | APKG1612010 | APKG2084100 | APKG2081160 | APKG1807020 |
| A7301 | 7/16" | 2" | APKG1582920 | APKG1612010 | APKG2084100 | APKG2081160 | APKG1807020 |

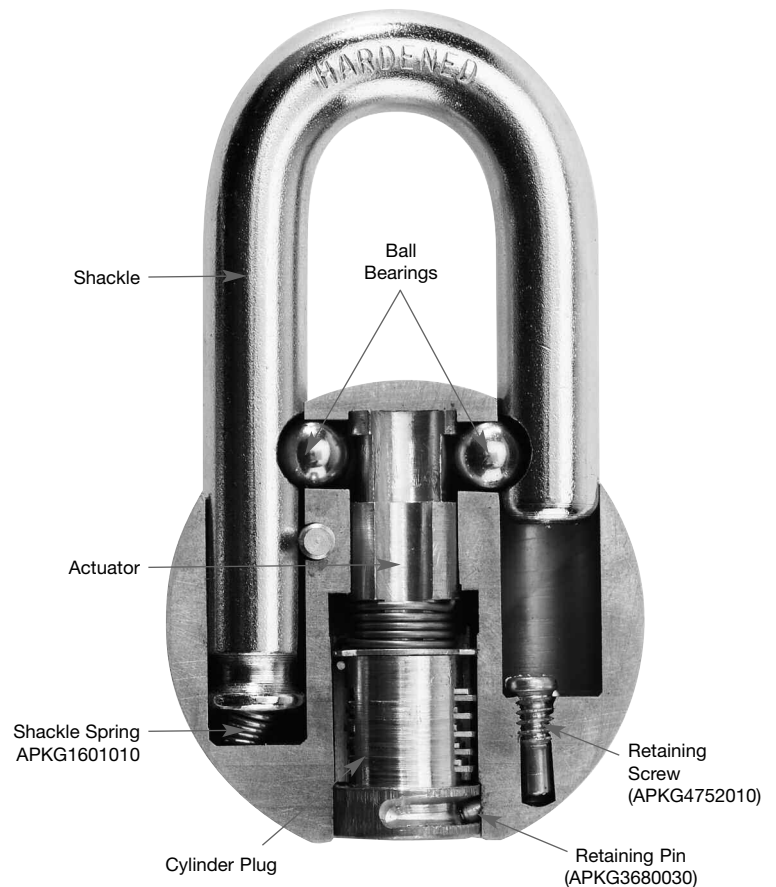
For Quantity Content and Ordering Information, See the Price Book
For Trap Door Part Numbers see page 32

Disassembly

- Unlock shackle
- Use a flat tip screwdriver to remove security screw and retaining pin from slot
- Remove security nut and trap door
- Remove cylinder plug
- Place lock on flat surface and close shackle
- Actuator and ball bearings should fall out, if not, see page 20
- Remove cylinder retaining pin
- Shackle cannot be removed without drilling pressed retaining pin

Assembly

- Insert shackle spring and shackle if removed
- Insert shackle retaining pins
- Insert ball bearings
- Insert actuator as shown
- Insert cylinder plug and retaining pin
- Insert security screw
- Tighten security screw
- Check operation

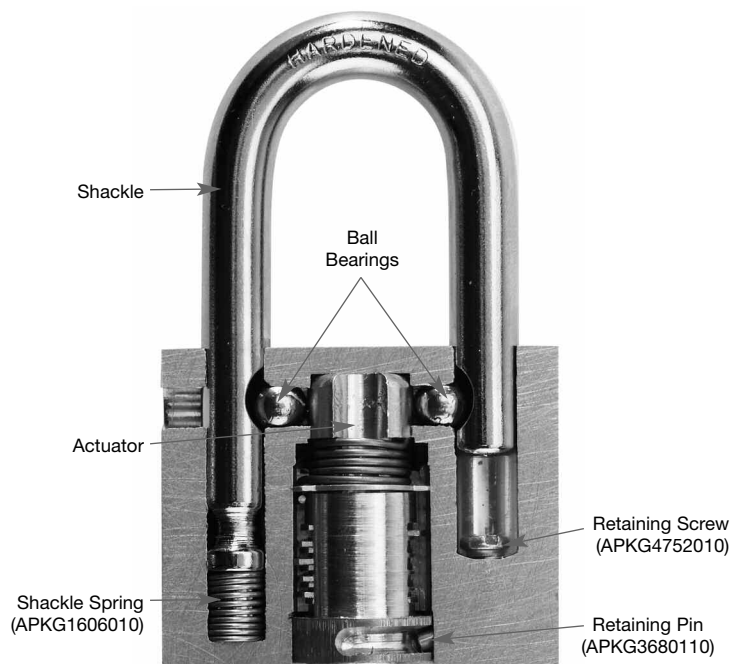


Disassembly

- Unlock shackle
- Use a flat tip screwdriver to remove security screw
- Remove security nut and trap door
- Remove cylinder plug
- Place lock on flat surface and close shackle
- Actuator and ball bearings should fall out, if not, see page 20
- Remove cylinder retaining pin
- Shackle cannot be removed without drilling pressed retaining pin

Assembly

- Insert shackle spring and shackle if removed
- Insert shackle retaining pins
- Insert ball bearings
- Insert actuator as shown
- Check operation with cylinder plug
- Rap retaining pin into place
- Insert security screw
- Tighten security screw
- Check operation



Weatherbuilt™ Covers



All padlocks available in the 1000, 5000 and 6000 series bodies, (except 1105, 5530 and 6530), are now available with an environmentally protective cover by adding the modification code COV to the lock part number.

In addition to having the new environmental cover, those locks will have a different shackle with more clearance to allow it to swing free over the cover. You will also notice that as of August, 2006 American Lock keys will have a longer neck for the same reason. The standard keyway will be changed to the longer neck key at that time and other keyways will follow as needed.



The covers are designed to be fully serviceable. Unlike many other environmental covers for padlocks, these may be removed or even replaced if desired. As you can see here, the cover has two main components, the top and bottom halves. Within each of those halves there are another two components. Each half of the cover is designed to have a comfortable fit to the padlock body that still allows easy removal. In fact easy removal is especially important now that the lock can't effectively be serviced for rekeying without removing at least the bottom half of the cover.

On each side of the cover there is a release vent. Use a small screwdriver to push inward on the high side of the bottom cover while pushing it away from the top cover. Once that side has separated, the other side separates very easily with the screwdriver to allow removal of the bottom cover.



The top half of the cover can typically be pulled up from the padlock body but cannot be removed without disassembly of the lock. There are two grommets in the shackle holes and they are designed to flex during use. This flexible design reduces undue friction against the shackle found in other environmental covers.



Inside the bottom of the cover you will see the shutter assembly and the pivot spring. The shutter assembly will be held in place by the two tabs shown here and if pried out of place will not likely fly apart. The pivot spring serves as a detent for the shutter assembly and must be removed before the shutter assembly and installed after. Unless you need to replace the shutter assembly there is no reason to remove it. A different pivot spring is used in each model. On the top at the right is the SFIC version and on the bottom is the standard version.



When replacing or installing the top half of the cover, the lock must be disassembled and the heel side of the shackle should be inserted in the side where the replica American Flag appears. Reassemble the lock and then snap the bottom half into place.

1-3/4"

2"



This cover is available in two sizes, one for 1-3/4" wide padlock bodies and the other for 2" wide padlock bodies. There are also two different height variations, one for standard padlock cylinders and another for SFIC padlock bodies. That difference is in the bottom half of the cover as you can see here.



SFIC

The bottom of the covers does have a design that will help with key orientation. That difference is in the bottom half of the cover as you can see here. The bottom of the covers does have a design that will help with key orientation. The image on the top is the SFIC. The image on the bottom is the standard version.



SFIC



Standard



Standard

Retrofitting these covers to an existing lock requires a new longer shackle. Select from the list below.

Weatherbuilt™ Component Parts

| Part Description | Standard Padlock Cylinder | | SFIC Cylinder | |
|---------------------------------|------------------------------|-------------------------|------------------------------|-------------------------|
| | 1-3/4" Body 5/16" Shackle | 2" Body 3/8" Shackle | 1-3/4" Body 5/16" Shackle | 2" Body 3/8" Shackle |
| Top Cover Assembly | APKG0069402 | APKG0069403 | APKG0069402 | APKG0069403 |
| Bttom Cover Assembly | APKG0069404 | APKG0069406 | APKG0069405 | APKG0069407 |
| Grommet Only | APKG0056292 | APKG0056297 | APKG0056292 | APKG0056297 |
| Shutter Assembly w/Pivot Spring | APKG0070456 | APKG0070456 | APKG0070455 | APKG0070455 |
| Pivot Spring Only | APKG0056289 | APKG0056289 | APKG0068752 | APKG0068752 |
| 3/4" Shackle, Brass | APKG0056792 | N/A | APKG0056792 | N/A |
| 1-1/8" Shackle, Steel | APKG0056291 | APKG0056296 | APKG0056291 | APKG0056296 |
| 1-1/8" Shackle, Brass | N/A | APKG0056760 | N/A | APKG0056760 |
| 1-1/8" Shackle, Stainless | APKG0065435 | APKG0065432 | APKG0065435 | APKG0065432 |
| 2" Shackle, Steel | APKG006796 | APKG0056761 | APKG0056796 | APKG0056761 |
| 2" Shackle, Brass | N/A | APKG0056762 | N/A | APKG0056762 |
| 2" Shackle, Stainless | APKG0065436 | APKG0065433 | APKG0065436 | APKG0065433 |
| 2-1/2" Shackle, Brass | APKG0056794 | N/A | APKG0056794 | N/A |
| 3" Shackle, Steel | APKG0056797 | APKG0056763 | APKG0056797 | APKG0056763 |
| 3" Shackle, Brass | N/A | APKG0056764 | N/A | APKG0056764 |
| 3" Shackle, Stainless | APKG0065437 | APKG0065434 | APKG0065437 | APKG0065434 |
| 5" Shackle, Steel | APKG0056798 | N/A | APKG0056798 | N/A |
| 5" Shackle, Stainless | APKG0065438 | N/A | APKG0065438 | N/A |

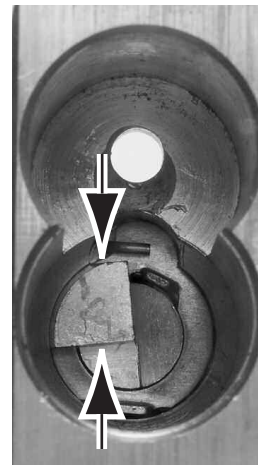
Note: Except Grommets and Pivot Springs which have 12 ea. in a package, all other parts above have 6 parts in each package ordered.

American Lock Actuators

| For Lock Series | NKR Assembly | NRK Assembly | Stop Only |
|--|--------------|--------------|-------------|
| A700 | APKG2029010 | APKG2084090 | N/A |
| A748 | APKG1188300 | APKG0000274 | N/A |
| A780 | N/A | APKG0000274 | N/A |
| A790 | N/A | APKG0000275 | N/A |
| A1405 | APKG1188270 | APKG2081160 | APKG2036010 |
| A1105, A1205, A1305, A5530, A5560, A5570, A5100, A5200, A5260 A3105, A3200, A3260, A3560, A3570, A7200, A7260, A5300, A5360 | APKG1188270 | APKG2081160 | N/A |
| A3600, A3700 | APKG1188280 | APKG36DLRET | APKG2036010 |
| A3900 | APKG1188280 | APKG2081160 | N/A |
| A3800 | APKG1188290 | APKG38DLRET | APKG2036010 |
| A7300 | APKG2084100 | N/A | N/A |
| AH10 | APKG1188010 | APKG2083060 | N/A |
| AL50 | APKG1188030 | APKG2083070 | N/A |

If your American Lock actuator and ball bearings do not fall out when the shackle is pushed back in place use the following procedure.

1. Using a following tool, unlock the shackle
2. With the actuator in the position shown, grab the pie shaped part using needle nose pliers or a hemostat where shown, DO NOT grab the washer
3. Pull actuator from lock body



| | | | | | |
|---|---|---|---|---|---|
| NKR |  |  |  |  | |
| | APKG1188010 | APKG1188030 | APKG1188270 | APKG1188280 | |
| |  |  |  |  | |
| | APKG1188290 | APKG1188300 | APKG2029010 | APKG2084100 | |
| | NRK |  |  |  |  |
| | | APKG0000274 | APKG0000275 | APKG2081160 | APKG2083060 |
|  | |  |  |  | |
| APKG2083070 | | APKG2084090 | A36DLRET | A38DLRET | |

American Lock Actuators for Master Lock Cylinders

American Lock Cylinders and Master Lock cylinders have a different end configuration and as a consequence require different actuators. The next table indicates which actuator is required to put a Master Lock six pin length cylinder into the American Lock series indicated. Also note that because of the different orientation of the cylinder end, the anti-bypass plate isn't required with the Master Lock cylinders and a 'K' type trap door is also required.

| Actuator | Non Key Retaining (NKR) | | Non Removable Key (NRK) | |
|---------------------------------|---|---|---|---|
| |  |  |  |  |
| Lock # | APKG0001666 | APKG0001669 | APKG0001667 | APKG0001670 |
| A700 | X | | | |
| A700DL | | | X | |
| A1000, A5000, A6000 | | X | | |
| A1000DL, A5000DL, A6000DL | | | | X |

Date Coding

Most American Lock bodies are stamped with a date code to indicate when the lock body was made. Generally the lock was assembled during the same month. The illustration below shows how to translate this date code. Note that only the first three of four characters stamped on the lock body are part of the date code.

Month

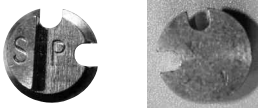







| Jan | Feb | Mar | Apr | May | Jun | Jul | Aug | Sept | Oct | Nov | Dec |
|-----|-----|-----|-----|-----|-----|-----|-----|------|-----|-----|-----|
| Z | Y | X | W | V | U | T | S | R | Q | P | O |

Year

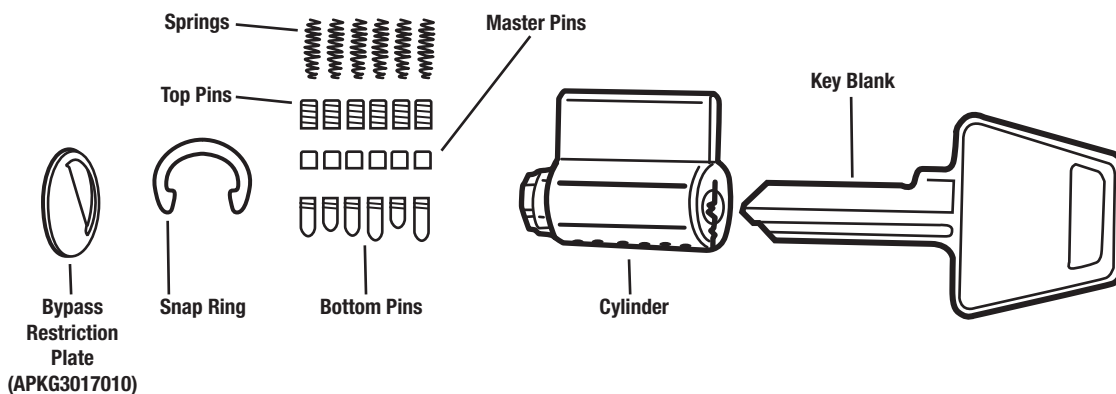
| 1 | 2 | 3 | 4 | 5 | 6 | 7 | 8 | 9 | 0 |
|---|---|---|---|---|---|---|---|---|---|
| N | M | L | K | J | I | H | G | F | E |

Month Year
 X H J x
 March 1975

Some cylinders that can be used in American locks do not have a plug end designed to interface with the American Lock actuator. To overcome that problem an extra part called a driver is needed to adapt the cylinder. The table below specifies the correct driver to be used with different lock body series and different types of cylinders.

| | Part Number | Used in Locks | Use Notes |
|---|-------------|---------------------|---|
|  | ADRSCH6 | A3600, A3700, A3800 | Schlage or any 100% copy |
|  | ADRMED6 | A3600, A3700, A3800 | Medeco 20 series |
|  | ADRLOR30 | A3600, A3700, A3800 | Lori 1530 |
|  | ADRLOR39 | A3600, A3700, A3800 | Lori 1539 |
|  | ADRVAR36 | A3600, A3700, A3800 | Assortment of Schlage, Medeco and Lori 1539 |
|  | APKG0000048 | A3100, A3200, A3500 | Requires SFIC |
|  | APKG0001133 | A1405 | Yale 1220 LFIC |
|  | APKG3020010 | A3900 | Schlage LFIC |
|  | APKG4949200 | A7000 series | Use only HTC2 |

Pin Tumbler Padlock Cylinder



There is a special cylinder used in the 5200GL. It has 5 pins in it and it is only 5 pins in length, the part number is APTC15.

The cylinder above is the standard pin tumbler padlock cylinder APTC14. When ordered with the part number APTC12 it is supplied with 5 pin tumblers and when ordered as part number APTC14 it will have 6 pin tumblers. Both sizes may be ordered with stainless steel pins by using the part number suffix 'S'. There is a special keyway used in the A748 lock and to get that keyway use part number APTC748 for a 6 pin cylinder. In all cases above, adding the suffix 'KZ' to the part number will get a zero bitted cylinder.

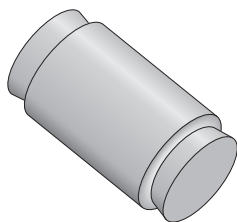
| # Pins | Keyway | KD | Zero Bitted | Stainless Steel Pins |
|--------|--------|---------|-------------|----------------------|
| 5 | STD | APTC12 | APTC12KZ | APTC12S |
| 6 | STD | APTC14 | APTC14KZ | APTC14S |
| 6 | 748 | APTC748 | APTC748KZ | APTC748 |



The APT2001 is supplied with shackle attached. Shackle removal is accomplished by removing the roll pin at the end of the cylinder.

Servicing the BumpStop® Mechanism

Cylinders containing the BumpStop® mechanism pin have one different component than standard cylinders and may be rekeyed when required. That one different component is the BumpStop™ top pin. It is longer than a typical top pin and will only let the cylinder operate correctly when it is placed in a correct pin chamber.



The table below indicates where the BumpStop® pin may be used in the different types of locks. The letter X in the table indicates a cut depth that isn't available in the product or a cut depth that isn't compatible with the BumpStop® pin.

When rekeying you need to

figure out which pin chamber has the BumpStop® pin in it and be sure to change where it is for the new combination of the new key.

For example, if you have a cylinder that was keyed to the combination 42645, the BumpStop® pin would be in the second pin chamber. If your new key has a combination of 54624, you would need to move the BumpStop® pin in the cylinder from the second to the fourth pin chamber.

| Cut # | Master Doorlock | Master Padlock | Padlock KIK | American Padlock |
|-------|-----------------|----------------|-------------|------------------|
| 0 | X | | | X |
| 1 | | | | |
| 2 | | | | |
| 3 | | X | X | |

Failure to move the pin will certainly make the cylinder vulnerable to a Bump Key attack and may make it impossible to even insert some cut keys because of the extra length of the BumpStop® driver pin.

Dump The Bump Pin

A good practice when keying a cylinder with BumpStop® technology is to always dump the Bump Pin. That way when you rekey it you can always put it into a valid location.

For more information on BumpStop®, please visit www.bumpstopsecurity.com.

American Lock Interchangeable Cores

The Interchangeable Core cylinders are constructed to the SFIC standards that you encounter with many other brands. Keying uses the same techniques employed for those cylinders.

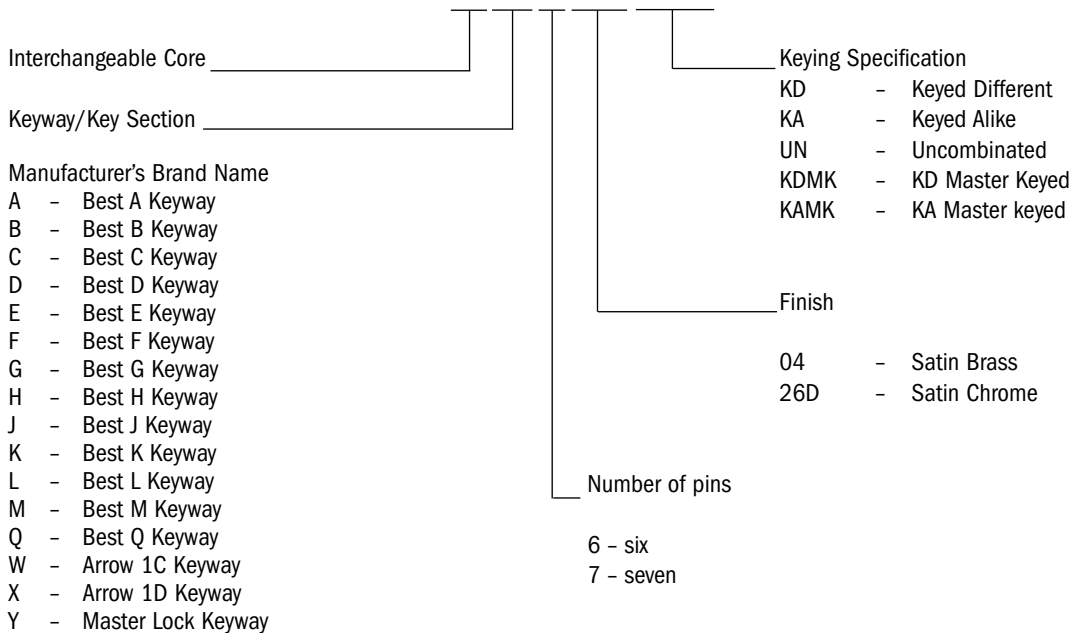
American Lock offers IC cylinders keyed to existing key systems if you are able to supply the combinations for the operating key, the TMK (Top Master Key), and the Control key. American Lock also has the ability to recreate your entire key system, including all potential expansion, if you can supply bitting combinations of all keys that have been used.

At present, American Lock offers IC cylinders compatible with the A2 and A4 format from the factory. If you are equipped for pinning SFIC cylinders, you can key the cylinders into an existing A3 system without difficulty. The listing below allows construction of a correct SFIC cylinder part number when ordering from Master Lock.

ORDERING INFORMATION

Interchangeable Cores

ACA604KD



American Lock Door Hardware Multi-Cylinders

Two different types of cylinders can be used in the 3600, 3700 and 3800 series locks to make them compatible with Door Hardware keys. The first type is our Key Advantage cylinder. It is a cylinder with a figure 8 shell but it is not an Interchangeable Core. Three different keyways are available and may be specified to be supplied with the padlock body by adding a single letter suffix to the part number. Those are;

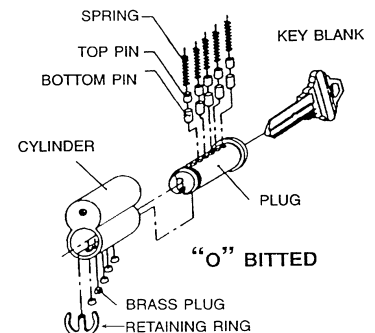
A3600K = Kwikset standard keyway

A3600S = Schlage C standard keyway

A3600Y = Yale standard E1R (8) keyway

Rekeying of these cylinders must be accomplished with a follower as they are blind drilled and the holes are plugged at the bottom of the keyway. These cylinders are available

5-pin zero-bitted with 6-pin capacity.



American Lock KIK Cylinders

We are now offering KIK cylinders with a wide range of keyways. Our part numbering system for these products can be found below. Please consult the American Lock Price Book (A-001) for available pin options by cylinder.

ORDERING INFORMATION

KIK Cylinders

The diagram below may be used to configure a KIK part number for all of the different options.

AD045KD

Door Hardware Cylinder

Keyway

| | | |
|---------------------------|----------------|-----------------------------------|
| Manufacturer's Brand Name | Sargent RA-RC* | 70 |
| Arrow | 10 | Schlage C 04 |
| Corbin 59A1-2 | 01 | Schlage E 34 |
| Corbin 60 | 29 | Schlage P 28 |
| Corbin Russwin L4 | 07 | Weiser/Falcon* 13 |
| Kwikset* | 12 | Yale 8 03 |
| Lockwood | 08 | Yale GA 15 |
| Russwin 981/852 | 11 | American Lock Edge™** 200WP |
| Russwin D1 | 30 | Key Control System |
| Sargent LA-LC* | 36 | (Available with 4 or 6 pins only) |

Keying Specification

| | | |
|------|---|-----------------|
| KD | - | Keyed Different |
| KA | - | Keyed Alike |
| KZ | - | Zero Bitted |
| KDMK | - | KD Master Keyed |
| KAMK | - | KA Masker keyed |
| UN | - | Uncombined** |

Number of pins

- 4 - four**
- 5 - five
- 6 - six

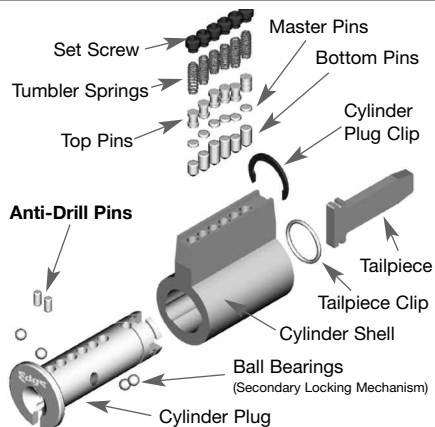
* Indicates a composite keyway
 ** Exclusively available for Edge™ Key Control System only

The door hardware cylinders are rekeyable using standard .115" diameter pins. The plug is mounted to the shell with a ring retainer, and use of a follower is recommended for rekeying. In order to mount the cylinders in the lock, a cylinder retainer plug is placed over the bible of the cylinder. The retainer plug has a threaded hole used to mount it to the lock via the toe side shackle hole and the socket screw. This cylinder also requires a special driver to be placed between the cylinder tail and the lock actuator in order to function.

Door Hardware Component Parts

All door hardware compatible plugs have hardened inserts to protect the shear line from drilling. The mortise and rim shells also have hardened inserts to protect the shear line and mounting points and were subjected to and passed the UL437 test for drilling. They also have set screws to cap the pin chambers for comb attack resistance.

Rekeying may be accomplished by removing the set screws at the top of each pin chamber or with the use of an American Lock Edge® follower (APKG0060612) and standard rekeying techniques. See the Catalog for further model and pricing information.

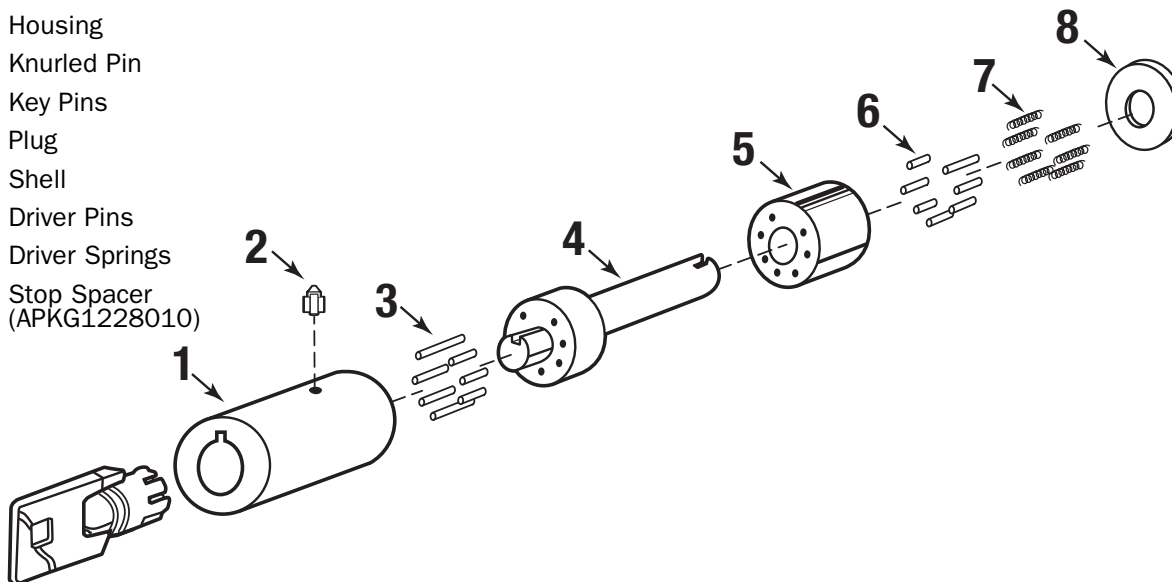


Component Parts

| Edge® Rim and Mortise | | | | Standard Rim and Mortise | | | |
|-----------------------|-------------|---------------------|-------------------------|--------------------------|-------------|---------------------|-------------------------|
| | Part Number | Quantity in Package | Cylinder Component Code | | Part Number | Quantity in Package | Cylinder Component Code |
| | APKG0049804 | 10 | AR1 | | APKG1270960 | 10 | AR1 |
| | APKG0049806 | 10 | FS1 | | APKG1270970 | 10 | AR4 |
| | APKG0049805 | 10 | RC3 | | APKG1270980 | 10 | RC3 |
| | APKG0049807 | 10 | SS1 | | APKG1270950 | 10 | YS2 |
| | APKG0049809 | 10 | YS1 | | APKG1270820 | 10 | RT1 |
| | APKG0049808 | 10 | YS2 | | APKG0049967 | 10 | N/A |
| | APKG0049969 | 10 | FTP | | APKG0049968 | 10 | N/A |
| | APKG0049970 | 10 | LTP | | APKG0049971 | 10 | N/A |
| | | | | | APKG0056303 | 10 | N/A |
| | | | | | APKG0049966 | 10 | N/A |
| | | | | | APKG0056302 | 10 | N/A |

Tubular Key Padlock Cylinders

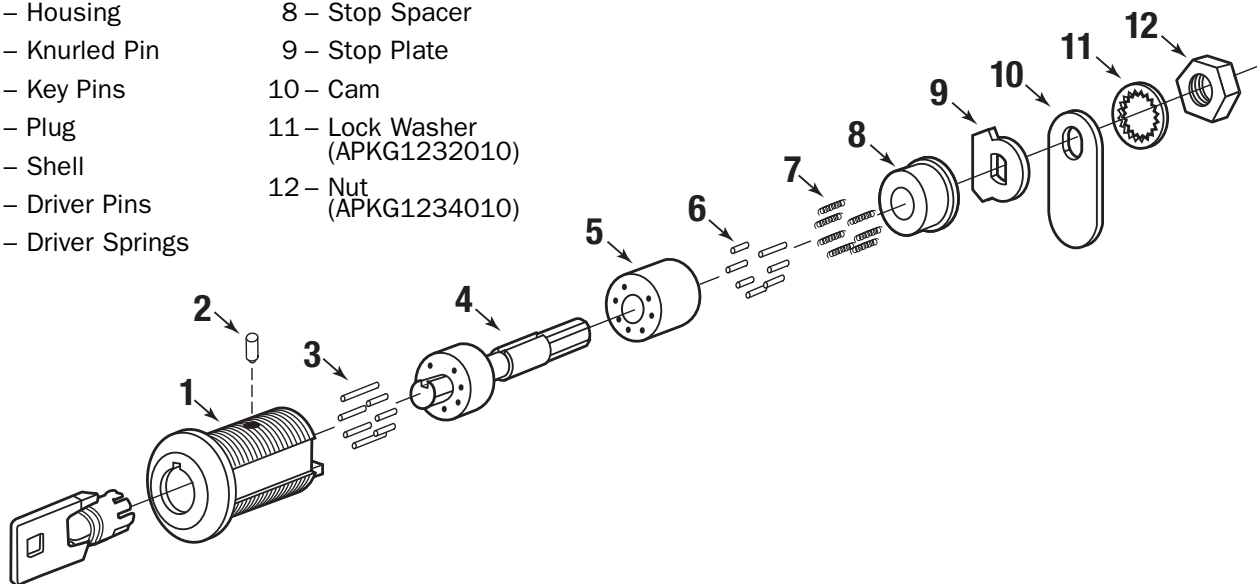
- 1 – Housing
- 2 – Knurled Pin
- 3 – Key Pins
- 4 – Plug
- 5 – Shell
- 6 – Driver Pins
- 7 – Driver Springs
- 8 – Stop Spacer (APKG1228010)



The AHTC2 is for use in the A7000 series tubular padlocks only. But may be KA with the A8000 series cam lock shown below.

Tubular Key Cam Lock Cylinders

- 1 – Housing
- 2 – Knurled Pin
- 3 – Key Pins
- 4 – Plug
- 5 – Shell
- 6 – Driver Pins
- 7 – Driver Springs
- 8 – Stop Spacer
- 9 – Stop Plate
- 10 – Cam
- 11 – Lock Washer (APKG1232010)
- 12 – Nut (APKG1234010)



Tubular cylinder assembly places the plug inside the shell and then that sub assembly is placed inside the housing. The housing and shell have a receptacle for a knurled pin to be pressed into place. In the padlock cylinder that pin protrudes and acts as a locator for the cylinder in the padlock body. In the cam lock it is below the threads so it doesn't interfere with the mounting nut. This pin is hardened and should never be removed.

The knurled Stop spacer in both locks is pressed into place in the end of the housing and requires a puller to be used to disassemble the cylinder for rekeying.

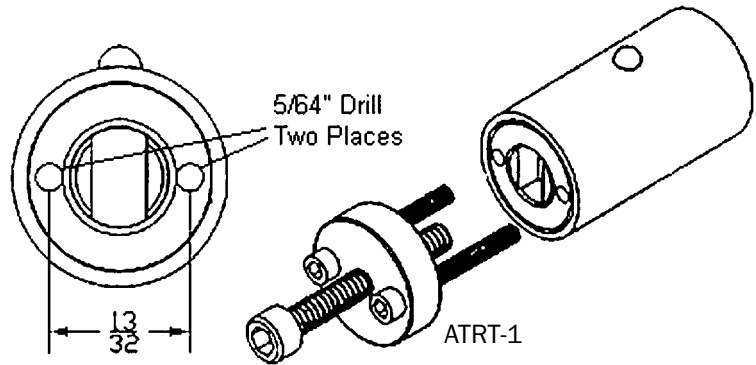
Tubular Servicing

To use the ATRT-1 puller;

1. Drill 2 holes with a 5/64" diameter. They should be 1/16" to 3/32" deep as shown above.

2. Retract the center screw of the puller and place tool over the back of the lock.

3. Thread both side screws into the holes drilled into the stop spacer. Use a hex wrench and turn each screw at least 3 turns into the drilled holes.



4. Tighten the center screw until the stop spacer has been pulled from the housing.

5. Remove the tool from the stop spacer and the spacer may be reused by pressing it back into the housing.

An extra shell is supplied in the keying kit to assist in loading pins and springs. If the extra shell is placed on the plug shaft and aligned with each pin chamber it is much easier to load new tumbler pins and springs. Once the new pins and springs have been loaded, remove the extra shell and insert the knurled stop spacer into the housing.

Tumbler pins for tubular cylinders have a .078"/.079" diameter. The Key Pins come in seven different lengths and each length must be used with a specific sized Driver Pin to prevent crushing springs in the cylinder. See chart at Right.

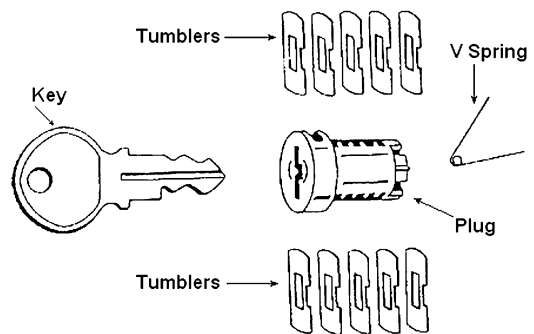
| KEY PIN | | | DRIVER PIN | |
|---------|--------|---|------------|--------|
| Size | Length | | Size | Length |
| 1 | .2035" | → | 5 | .200" |
| 2 | .2190" | → | 5 | .200" |
| 3 | .2345" | → | 4 | .185" |
| 4 | .2500" | → | 3 | .170" |
| 5 | .2655" | → | 2 | .155" |
| 6 | .2810" | → | 1 | .140" |
| 7 | .2965" | → | 1 | .140" |

Disc Tumbler Cylinder Plug

The disc tumbler padlock uses a double bitted waveform key. While it is possible to rekey a disc tumbler plug with the parts included in the service kit we recommend ordering keyed plugs from the factory by code.

If you do want to attempt rekeying, follow this process;

1. Remove existing V-spring and tumblers.
2. Insert new tumblers, (5 sets of 2 each), and V-spring.
3. Insert new operating key, being sure it is fully inserted.
4. Using a hole saw, file or grinder, remove excess material from disc tumblers until they are flush with the outside diameter of the plug. Be sure not to change the shape or diameter of the plug during this process.



Replacement cylinders may be ordered with two different keying specifications, Coded and Uncoded. If you want coded plugs order the correct keyway and specify the code that should operate if you want a particular key, otherwise just use these part numbers;










Coded - ABTC1A, ABTC1B, ABTC1C, ABTC1E

Uncoded - ABTC1KZA, ABTC1KZB, ABTC1KZC, ABTC1KZE

American Lock Retainers & Trap Doors



The trap door is an essential element in providing security for the cylinder in your American lock. The orientation of the trap door is slightly different based upon the keyway in the cylinder. The table below indicates the part number of the trap door that should be used in a lock when a particular keyway is used in that same lock. The picture in the table is how the trap door would appear from the bottom of the lock.

| Picture | Used on Locks | with Keyways | Part Number |
|---|--|-----------------------------------|-------------|
|  | All models requiring a trap door except those listed in the table below | STD, R1, R2 | APKG4680210 |
| | Stainless Steel All models requiring a trap door except those listed in the table below | STD, R1, R2 | APKG0110026 |
|  | All models requiring a trap door except those listed in the table below | R7, R8, MLC Keyways and ALC Edge® | APKG4680220 |
| | Stainless Steel All models requiring a trap door except those listed in the table below | R7, R8, MLC Keyways and ALC Edge® | APKG0P10774 |
|  | A700 | STD, R1, R2 | APKG4680200 |
|  | A700 | R7, R8, MLC Keyways and ALC Edge® | APKG4680230 |
|  | A748, A780, A790 | 748, STD, R1, R2 | APKG4680260 |
|  | A748, A780, A790 | R7, R8, MLC Keyways and ALC Edge® | APKG4680270 |
|  | All 7000 Series | All | APKG4680240 |
|  | All Except 3000 Series | All | APKG4761010 |
| | Stainless Steel - All Except 3000 Series | All | APKG0110028 |
|  | All Except 3000 Series | All | APKG4746010 |
| | Stainless Steel - All Except 3000 Series | All | APKG0110027 |

American Lock Keys & Keyways



RESTRICTED



AKBBOX



AKBWRABOX



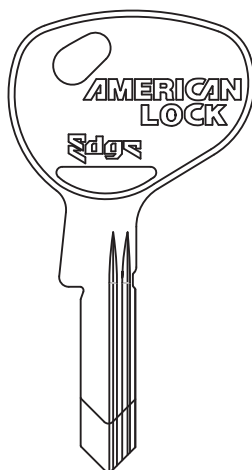
AKBWRBBOX



AKBWRCBOX



AKBWREBOX

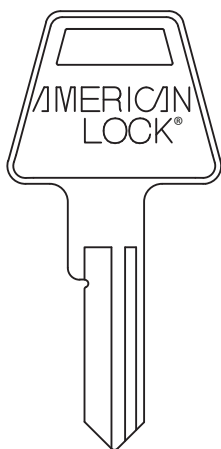


AKWP4BOX
AKWP6BOX

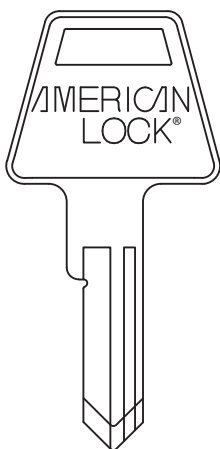


AKTBOX

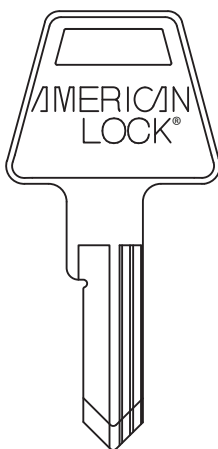
RESTRICTED



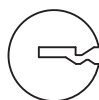
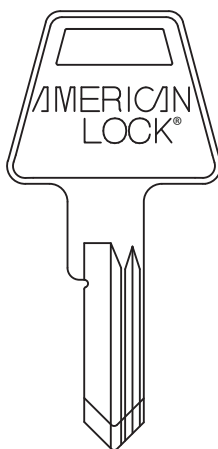
AKW748BOX



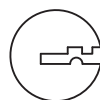
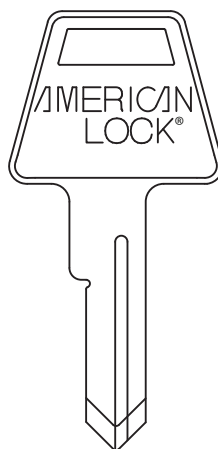
AK5BOX
AK6BOX



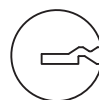
AK5WR1BOX
AK6WR1BOX



AK5WR2BOX
AK6WR2BOX



AK5WR7BOX
AK6WR7BOX

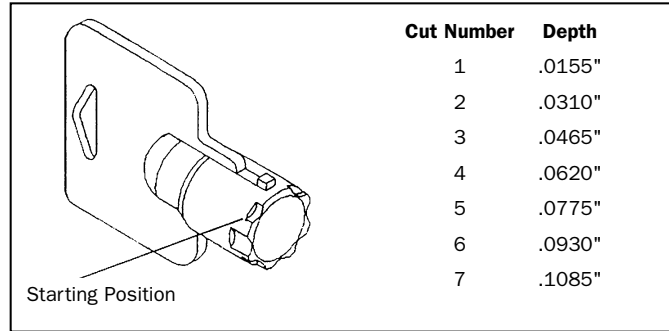
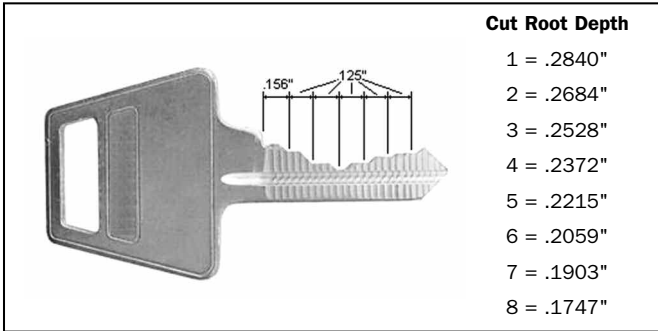


AK5WR8BOX
AK6WR8BOX

American Lock Bitting Specifications



All American Lock keys use the same spacing and depth specifications as shown here.



Spacing: 1st cut center = .156" - Center to center = .125"

Lock Lubricants

Master Lock Lock Lubricant can be used for lubricating the various lock components. The lubricants contain PTFE formulations that can be used for padlocks, door locks, automotive, marine, and multipurpose applications. The effective operating temperature range is -40°F to 500°F and helps de-ice pre-lubricated locks.

Two aerosol sizes are available that contain a "dry" lubricant formula that lubricates without collecting dirt or dust. The 2305 aerosol is a 5.25 oz. size convenient for carrying to jobs and the 2311 aerosol is an 11 oz. size ideal for keeping in the shop.

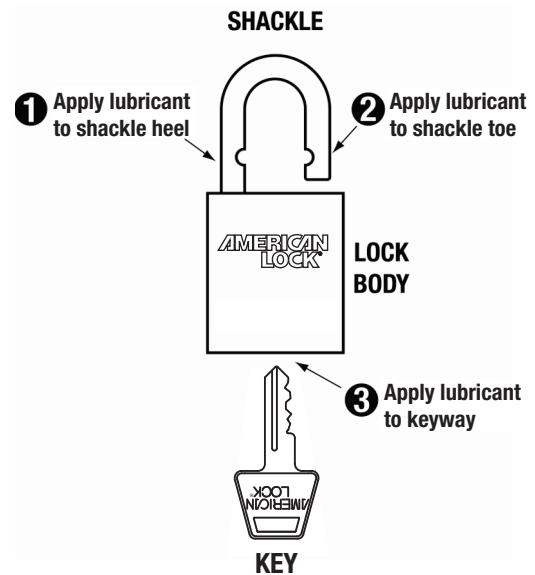


Recommended Padlock Cleaning & Lubrication

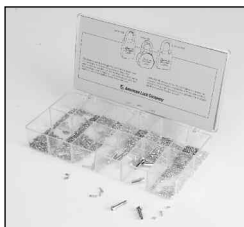
Over time, dust particles and chemicals in the air settle on and in the padlock. They can then create friction inside the precision locking and keying components and impede the opening and closing of the padlock. Annual cleaning is recommended. In particularly dusty or corrosive environments, clean every three months.

Recommended Directions:

- Flush grease and dirt from the padlock as needed.
- Apply Master Lock® Lock Lubricant to the keyway and shackle holes, using a very light spray. "Psst", not "Psssssssssssssst"!
- Insert key, open and close padlock several times to distribute lubricant.



| Average number of times opened per day | Dry Lubricant Application Schedule (Normal Environment) |
|--|---|
| 1 to 50 | Once per year |
| 51 to 100 | Twice per year |



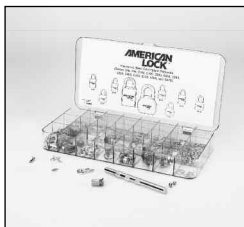
APK-1 Pin Kit

- 100 ea. Bottom pins 1 through 8
- 100 ea. Top pins
- 10 ea. Driver springs
- 5 ea. Security screws
- 5 ea. Security nuts



ATCR3 Tubular Keying Kit

- 100 ea. Key pins
- 100 ea. Driver pins
- 100 ea. Springs
- 10 ea. 180° Stop plates
- 10 ea. 90° Stop plates
- 1 ea. Shell
- 1 ea. ATRT-1 rekeying tool
- 1 ea. Depth key



ASK-8 Pin Kit

- 100 ea. Bottom pins 1 through 8
- 100 ea. Master pins 2 through 7
- 100 ea. Top pins
- 100 ea. Driver springs
- 12 ea. (Small) A5000 series ball bearings
- 12 ea. (Large) A700 series ball bearings
- 25 ea. Security screws
- 25 ea. Security nuts
- 2 ea. Trap doors for A700 series locks
- 4 ea. Trap doors for A5000 series locks
- 1 ea. American Lock Co. 6 pin cylinder
- 2 ea. Actuators for A700 series locks
- 4 ea. Actuators for A5000 series locks
- 1 ea. American Lock Co. 5 pin cylinder
- 10 ea. Snap rings
- 1 ea. Follower tool



AALSK-18 Disc Tumbler Service Kit

- 25 ea. AL50 cylinder retaining pins
- 25 ea. AH10 cylinder retaining pins
- 25 ea. Cylinder Retaining screws
- 10 ea. AL50 shackle springs
- 10 ea. AH10 shackle springs
- 100 ea. Brass disc tumblers
- 10 ea. Tumbler V-springs
- 10 ea. Ball bearings, AL50 small size
- 10 ea. Ball bearings, AH10 large size
- 10 ea. AH10 knurled shackle pins
- 10 ea. AH10 retaining shackle pins
- 3 ea. Cylinder assemblies w/2 keys ea.
- 3 ea. AH10 Actuators
- 3 ea. AL50 Actuators

For Quantity Content and Ordering Information See the Price Book

American Lock®, is a registered trademark of the Master Lock Company LLC.
All registered trademarks are the property of their respective owners
www.americanlock.com
www.masterlock.com
Master Lock Company LLC, Milwaukee, WI 53154 U.S.A. | 800-308-9244
Master Lock Canada, Mississauga, Ontario L5L 5Z9 Canada | 800-227-9599
©2018 Master Lock Company | All rights reserved